

238.40 [9.386]
257.83 [10.151]

POSSIBLE MOUNTING SURFACE

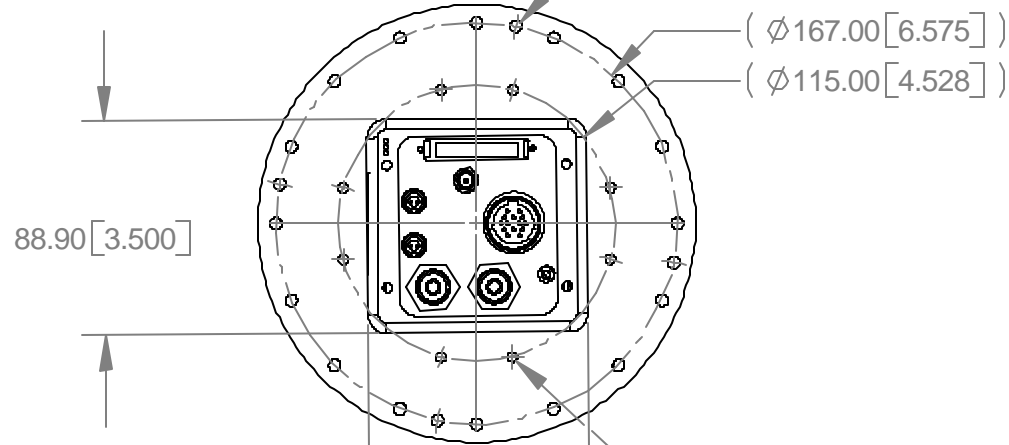
POSSIBLE CUSTOMER MOUNT

Ø 5.00 [0.197] THRU ALL
M6x1 - 6H ∇ 11.43 [0.450]
4 PL EQ SP ON Ø 167.00 [6.575] BC
POSSIBLE CUSTOMER MOUNT

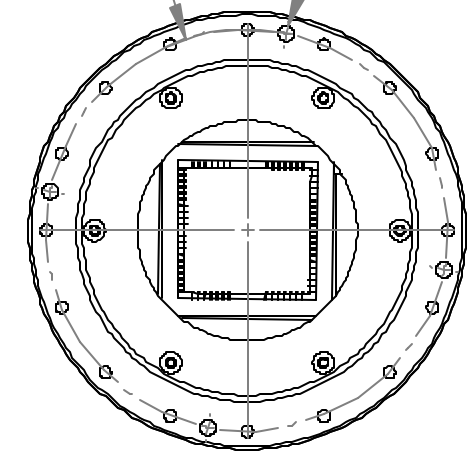
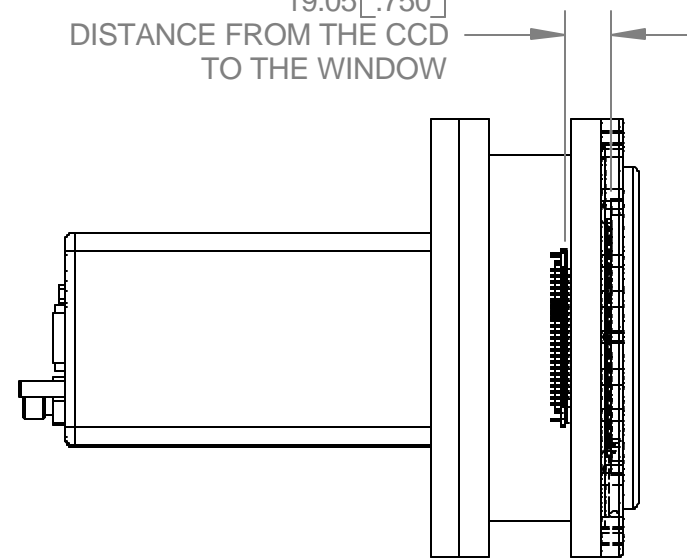
19.05 [.750]
DISTANCE FROM THE CCD
TO THE WINDOW

Ø 6.60 [.260] THRU
4 PL EQ SP ON Ø 167.00 [6.575] BC
POSSIBLE CUSTOMER MOUNT

(Ø 167.00 [6.575])



Ø 4.20 [0.165] ∇ 10.00 [0.394]
M5x0.8 - 6H ∇ 10.00 [0.394]
8 PL EQ SP ON Ø 115.00 [4.528] BC
POSSIBLE CUSTOMER MOUNT



PROPRIETARY
INFORMATION

DRAWN R.K. CORDER	DATE 12/08/04	REV	DATE	DESCRIPTION	APP	ECO
DESIGNED R.K. CORDER	DATE 12/08/04					
CHECKED	DATE	THIRD ANGLE PROJECTION		 Tucson, Arizona USA		
APPROVED	DATE					
DO NOT SCALE DRAWING Dimensions: Metric [English]		TITLE ASSY, 800S STANDARD WITH KAF4320E				
TOLERANCES (UNLESS OTHERWISE NOTED) Metric English		SCALE 1:3	SHEET 1 OF 2	SIZE B	DRAWING NO. AND REV.	
X = 1MM .X = .039 .X = .3MM .XX = .011 .XX = .1MM .XXX = .004 Angles = 30' Angles = 30'						