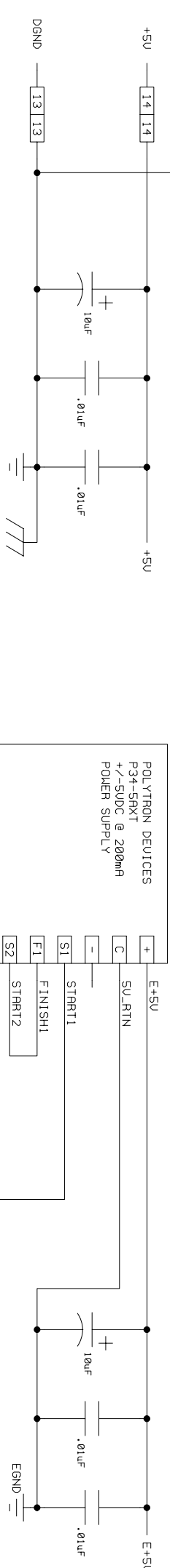
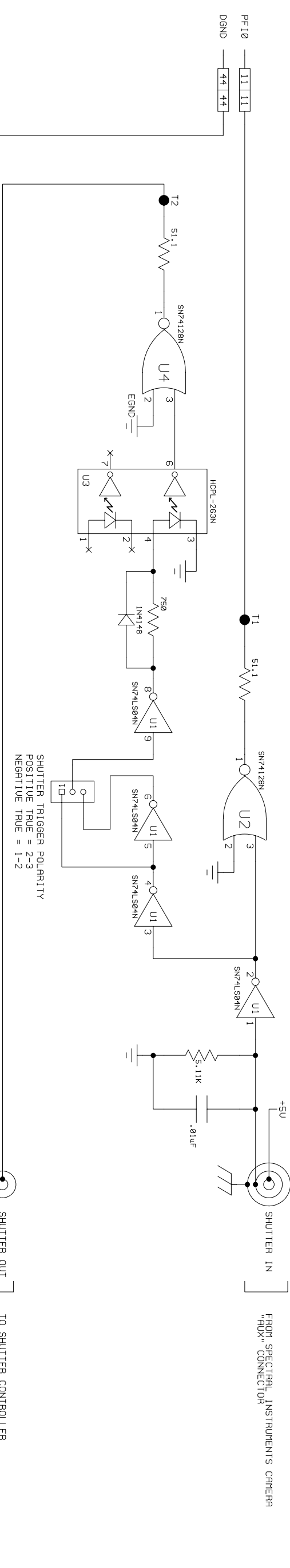
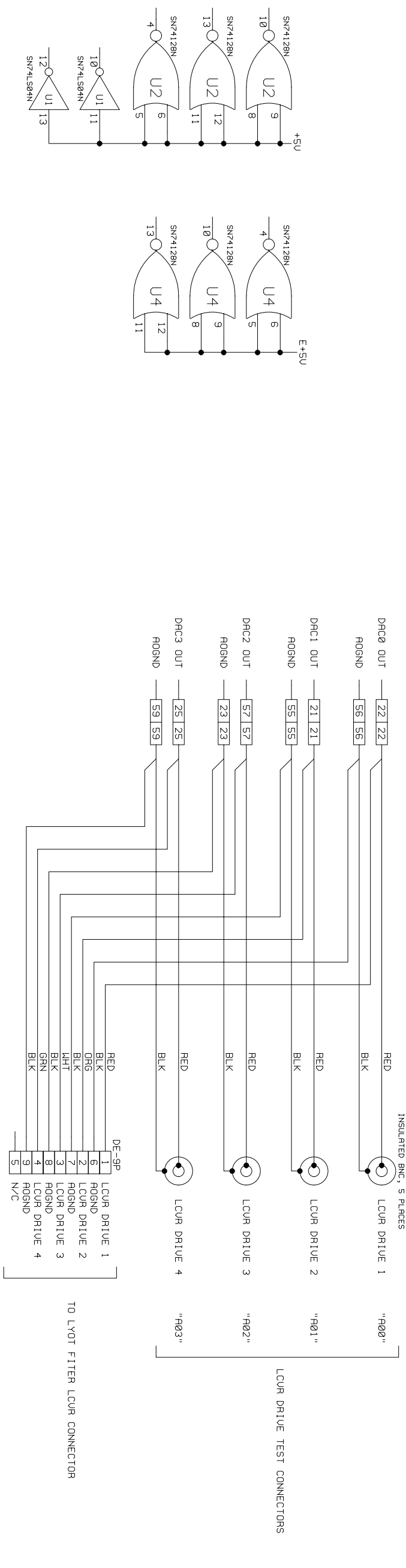
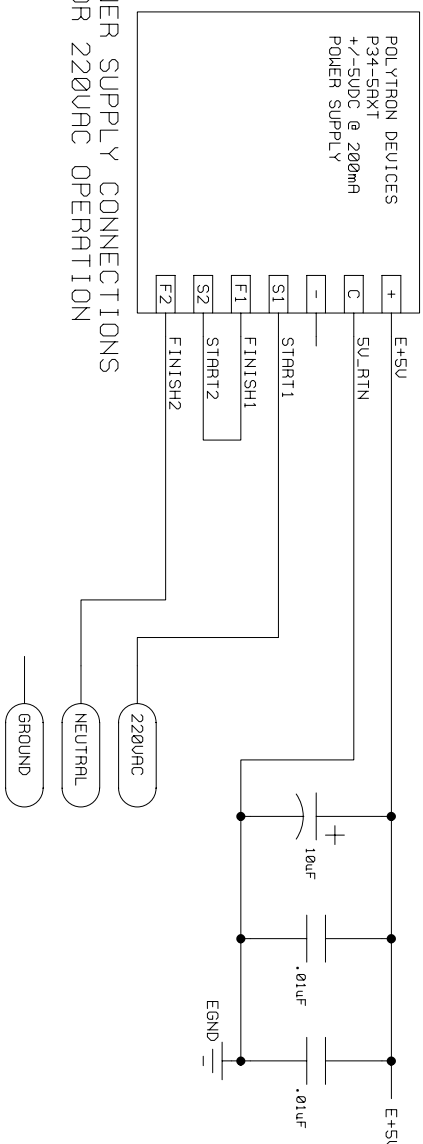


DESIGN NO.		REV. NO.		DATE		APPROVED	
ZONE	REV.	DESCRIPTION					



**POWER SUPPLY CONNECTIONS FOR 220VAC OPERATION**



NOTE:  
PINOUT FOR 671X/673X DEVICES.  
PAGE B-4, SCB-68 USERS MANUAL.

CONTRACT NO.		121200		HIGH ALTITUDE OBSERVATORY, A DIVISION OF NCAR	
DRN	01/21/05	PO BOX 3000	BOULDER, COLORADO 80307	303-497-1000	
CRD	11/09/05	Chrote1			
ENGR	01/21/05	NI SCB-68			
TECH		WIRING DIAGRAM			
CHKD		SIZE	DWG. NO.		
LULL		D	1200\WD-5001		
PROJECT	SCIENTIST	SCALE		ISSUED	11/09/05
??				SHEET	1 OF 1