

# DAQ Getting Started Guide

This guide describes how to install and configure the NI-DAQmx 7.x driver software, your NI data acquisition (DAQ) device, and confirm the device is operating properly. For instructions on configuring Traditional NI-DAQ (Legacy), refer to the *Traditional NI-DAQ (Legacy) Readme*, accessible from **Start»Programs»National Instruments»NI-DAQ** after you have installed the software.

## NI-DAQ 7.x Software

---

National Instruments measurement devices are packaged with *NI-DAQ driver software*, an extensive library of VIs and ANSI C functions you can call from your application software, such as LabVIEW or LabWindows™/CVI™, to program your NI *measurement devices*, such as the M Series multifunction I/O (MIO) DAQ devices, signal conditioning modules, and switch modules. Driver software has an *application programming interface (API)*, which is a library of VIs, functions, classes, attributes, and properties for creating applications for your device.

NI-DAQ 7.x includes two NI-DAQ drivers, each with its own APIs, hardware configuration, and software configuration. NI-DAQmx is the latest NI-DAQ driver with the following advantages over Traditional NI-DAQ (Legacy).

- DAQ Assistant—a graphical way to configure virtual channels and measurement tasks for your device, and to generate NI-DAQmx code based on your virtual channels and tasks, for use in LabVIEW, LabWindows/CVI, Measurement Studio, and VI Logger
- Increased performance, including faster single-point analog I/O and multithreading
- NI-DAQmx simulation for most supported devices for testing and modifying applications without plugging in hardware; refer to the *NI-DAQ Readme* for NI-DAQmx-supported devices that do not have NI-DAQmx simulated device capability
- Simpler, more intuitive APIs for creating DAQ applications using fewer functions and VIs than earlier versions of NI-DAQ

Traditional NI-DAQ (Legacy) is an older driver with outdated APIs for developing data acquisition, instrumentation, and control applications for

older National Instruments DAQ devices. You should use Traditional NI-DAQ (Legacy) *only* in certain circumstances. Refer to the *NI-DAQ Readme* for more information about when to use Traditional NI-DAQ (Legacy), including a complete list of supported devices, operating systems, and application software and language versions.

## Step 1. Install Application Software

---

Install your NI application software. To use NI-DAQmx, install LabVIEW 7.x, LabWindows/CVI 7.x, Measurement Studio 7.x, VI Logger 2.x, or the LabVIEW Real-Time Module 7.1 or later.

If you have an existing application written with an earlier version of your application software or NI-DAQ, make a backup copy of the application. You then can upgrade your software and modify the application.

## Step 2. Install NI-DAQ 7.x

---

Install your driver software *before* installing new hardware devices so Windows can detect your device. Do *not* install NI-DAQ 7.x if your existing applications include unsupported components, which are listed in the *NI-DAQ Readme*.

1. Insert the CD. The NI-DAQ 7.x installer should open automatically. If not, select **Start»Run**. Enter `x:\setup.exe`, where `x` is the letter of the CD drive. For troubleshooting instructions, refer to the Hardware Installation/Configuration Troubleshooter at [ni.com/support/install](http://ni.com/support/install).
2. Install the software.
  - **Install** copies the software and/or documentation files onto your hard drive. NI-DAQ software documentation is installed when you install the driver software.
  - **View** opens the device documentation so that you can find, view, and print documents without installing them.



**Caution** NI-DAQ 7.x cannot exist on the same system with earlier versions of NI-DAQ. When you install NI-DAQ 7.x, the latest version of Traditional NI-DAQ (Legacy) replaces earlier versions of NI-DAQ (Traditional NI-DAQ and NI-DAQ 6.x) and any support files installed by the earlier version.

3. Install the support files. The NI-DAQ installer detects the NI software installed on the system and automatically selects the latest versions of the driver, application software, and language support files from the CD. Verify that the installer detected and selected the correct support files and version number.

If you install NI-DAQ before installing NI application software version 7.x, you must run the NI-DAQ installer again to install the correct application software support.

4. Click **Next** at the prompts.
5. Click **Finish**.
6. When the NI-DAQ installer completes, a message opens asking if you want to exit, shut down, or restart.
  - **Exit** to install more NI software or documentation.
    - Install online documentation for supported devices and accessories, including PDF and help files describing device terminals, specifications, features, and operation. Reinsert the NI-DAQ CD to reopen the installer screen. Select **Install Device Documentation**.
    - If you are using a MXI-3 link from a PC to control a PXI chassis, exit and install the MXI-3 software, available at [ni.com/downloads](http://ni.com/downloads), before using the DAQ device.
  - **Shut Down** if you are ready to install your device.
  - **Restart** if you are using a system running the LabVIEW Real-Time Module. Download NI-DAQ 7.x to the target using Measurement & Automation Explorer (MAX). Refer to the *Measurement & Automation Explorer Remote Systems Help* by selecting **Help»Help Topics»Remote Systems**.

## Step 3. Unpack the Devices, Accessories, and Cables

---

Remove the device from the package and inspect the device for loose components or any sign of damage. Notify NI if the device appears damaged in any way. Do *not* install a damaged device.

For safety and compliance information, refer to the device documentation, available at [ni.com/manuals](http://ni.com/manuals) or accessible from **Start»Programs»National Instruments»NI-DAQ»Browse Device Documentation** after you install it.

The following symbols may be on your device.



This icon denotes a caution, which advises you of precautions to take to avoid injury, data loss, or a system crash. When this symbol is marked on the device, refer to the *Read Me First: Safety and Radio-Frequency Interference* document, shipped with the device, for precautions to take.



When this symbol is marked on a product, it denotes a warning advising you to take precautions to avoid electrical shock.



When this symbol is marked on a product, it denotes a component that may be hot. Touching this component may result in bodily injury.

## Step 4. Install the Devices, Accessories, and Cables

If you have more than one DAQ device to install, install them all now. If your system includes SCXI modules to connect to DAQ devices, first install the DAQ components.



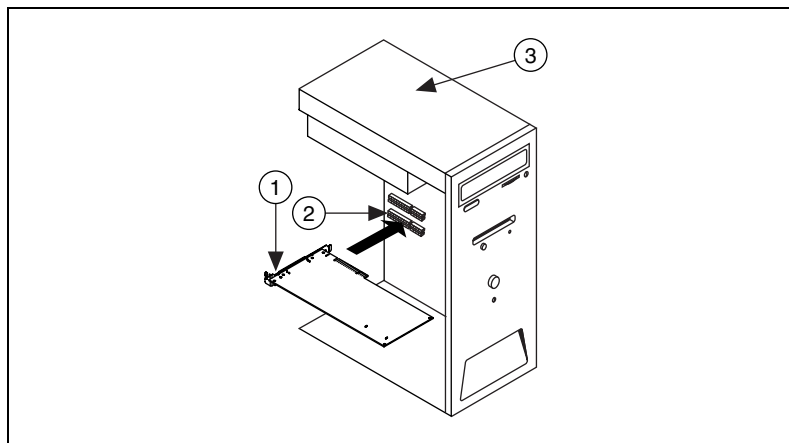
**Caution** Follow proper ESD precautions to ensure you are grounded before installing the hardware. Refer to the specifications document for your device for important safety and compliance information.

You can test NI-DAQmx applications without installing hardware by using an NI-DAQmx simulated device. Refer to the *Measurement & Automation Explorer Help for NI-DAQmx* by selecting **Help»Help Topics»NI-DAQmx** for instructions on creating NI-DAQmx simulated devices.

### PCI Devices

Complete the following steps to install the PCI device:

1. Power off and unplug the computer.
2. Remove the computer cover and/or the expansion slot cover.
3. Touch any metal part of the computer to discharge any static electricity.
4. Insert the device into a PCI system slot. Gently rock the device into place. Do *not* force the device into place.



1 PCI DAQ Device    2 PCI System Slot    3 PC with PCI Slot

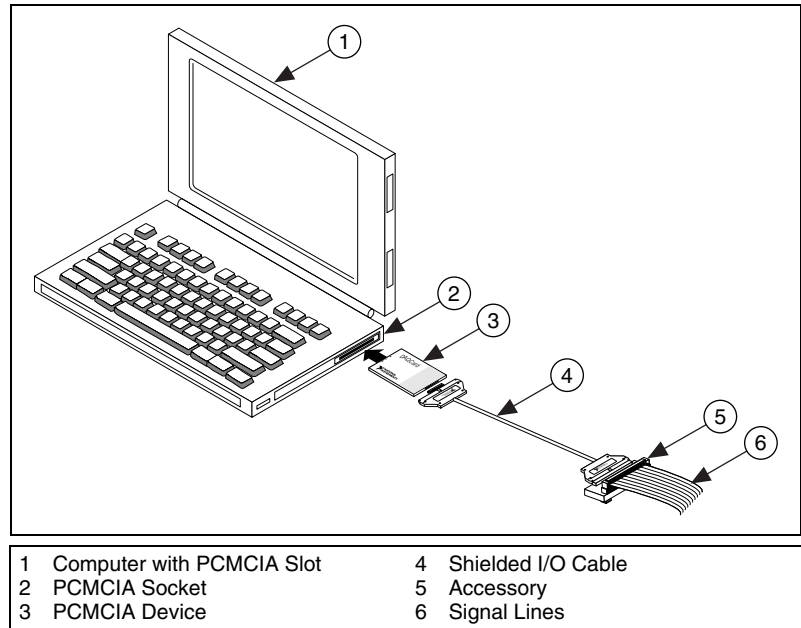
**Figure 1.** Installing a PCI Device

5. Secure the device mounting bracket to the computer back panel rail.
6. Replace the computer cover, if applicable.

## PCMCIA Devices

You can install the NI PCMCIA device in any available Type II PC Card slot. Complete the following steps.

1. Remove the PCMCIA slot cover on your computer, if any.
2. Insert the PCMCIA bus connector of the PCMCIA device in the slot until the connector is firmly seated.



**Figure 2.** Installing a PCMCIA Device in a Laptop PC

3. Attach the I/O cable. Be careful not to put strain on the I/O cable when inserting or removing the cable connector. Always grasp the cable by the connector you are inserting or removing. *Never* pull directly on the I/O cable to unplug it from the PCMCIA device.

## PXI Devices

Complete the following steps to install the PXI module.

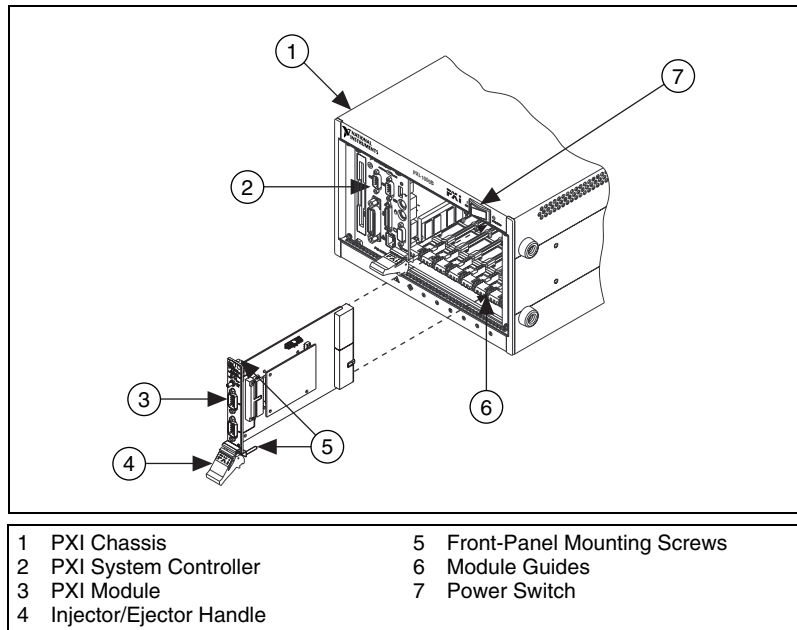
1. Power off and unplug the PXI chassis.



**Caution** Refer to the *Read Me First: Safety and Radio-Frequency Interference* document packaged with your PXI chassis or device before removing equipment covers or connecting or disconnecting any signal wires.

2. Remove the filler panel of an unused PXI slot. For information on slot requirements, refer to the device documentation as described in [Step 2. Install NI-DAQ 7.x](#).

3. Touch any metal part of the chassis to discharge static electricity.
4. Ensure that the PXI module injector/ejector handle is not latched and swings freely.
5. Place the PXI module edges into the module guides at the top and bottom of the chassis.
6. Slide the device into the PXI slot to the rear of the chassis.
7. When you begin to feel resistance, pull up on the injector/ejector handle to fully insert the device.
8. Secure the device front panel to the chassis front panel mounting rail using the front-panel mounting screws.



**Figure 3.** Installing a PXI Device

## USB/IEEE 1394 Devices

Complete these steps to install an NI device for USB or IEEE 1394:

1. Make power connections.
  - If you are using the BP-1 battery pack, follow the installation instructions in your BP-1 installation guide.
  - Some NI devices for USB or IEEE 1394 require external power.
    - If your device has an external power supply, verify that the voltage on the external power supply, if any, matches the voltage in your area (120 or 230 VAC) and the voltage

- required by your device. Connect one end of the power supply to an electrical outlet and the other end to your device.
- If your device has a power cord, connect one end of the power cord to the device and the other end to an electrical outlet.
2. Connect the cable from the computer USB or IEEE 1394 port or from any other hub or IEEE 1394 device to any available USB or IEEE 1394 port on the device.
  3. If you have a USB or IEEE 1394 device with a power switch, power on the device. The computer should immediately detect your device.

## Accessories

Install accessories and/or terminal blocks according to the instructions in their installation guides. For SCXI and SCC signal conditioning systems, continue with the instructions in this guide through [Step 8. Install Signal Conditioning or Switch Devices](#).

## Step 5. Power On Your Computer or PXI Chassis

---

Windows recognizes any newly installed device the first time the computer reboots after hardware is installed. On some Windows systems, the Found New Hardware wizard opens with a dialog box for every NI device installed. **Install the software automatically (Recommended)** is selected by default. Click **Next** or **Yes** to install the software for each device.

When the computer recognizes a USB or IEEE 1394 device, the power LED on the device blinks or lights up. Refer to the device documentation for LED pattern descriptions.

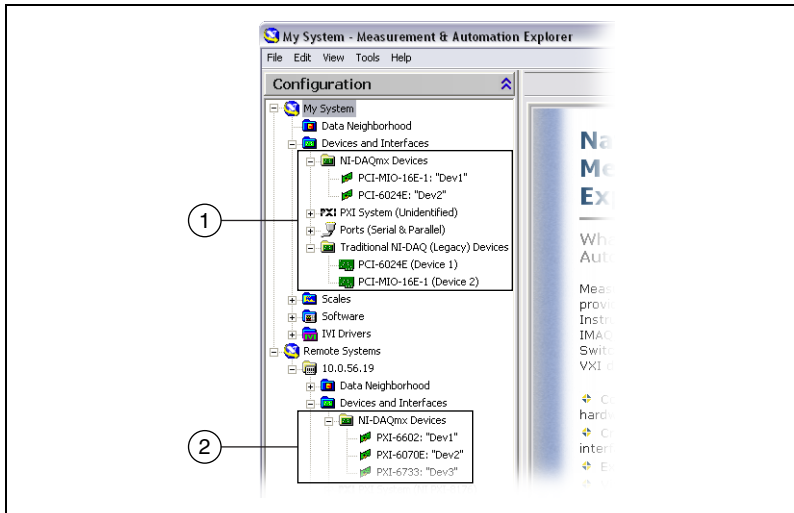
## Step 6. Confirm That the Device Is Recognized

---

Complete the following steps:

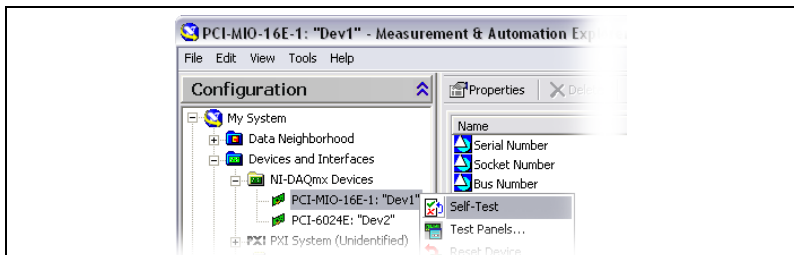


1. Double-click the **Measurement & Automation** icon on the desktop to open MAX.
2. Expand **Devices and Interfaces** then expand **NI-DAQmx Devices**. If you are using a remote RT target, expand **Remote Systems**, find and expand your target, and then expand **Devices and Interfaces**. For instructions about configuring Traditional NI-DAQ (Legacy), refer to the *Traditional NI-DAQ (Legacy) Readme*, accessible from **Start>Programs>National Instruments>NI-DAQ** after you have installed the software.



- 1 When a device is supported by both NI-DAQmx and Traditional NI-DAQ (Legacy) and both are installed, the same device is listed with a different name under **My System»Devices and Interfaces**.
- 2 Only NI-DAQmx Devices are listed under **Remote Systems»Devices and Interfaces**.

3. Check that your device appears under Devices and Interfaces. If your device does not appear, press <F5> to refresh the view in MAX. If the device is still not recognized, refer to [ni.com/support/install](http://ni.com/support/install).
4. Right-click the device and select **Self-Test**.



If you need help during the self-test, open *Measurement & Automation Explorer Help for NI-DAQmx* by selecting **Help»Help Topics»NI-DAQmx**. When the self-test finishes, a message indicates successful verification or if an error occurred. If an error occurs, refer to [ni.com/support/install](http://ni.com/support/install) for troubleshooting information.

You can test NI-DAQmx applications without installing hardware using an NI-DAQmx simulated device. Refer to the *Measurement & Automation Explorer Help for NI-DAQmx* by selecting **Help»Help Topics»NI-DAQmx** for instructions about creating NI-DAQmx simulated devices and importing NI-DAQmx simulated device configurations to physical devices.



## Step 7. Configure the Device Settings

---

Configure each device you install:

1. Right-click the device name and select **Properties**. Be sure to click the device name under the folder for the system (My System or Remote Systems) and NI-DAQ API in which you want to control the device.
2. Configure the device properties. To use a device in both NI-DAQmx and Traditional NI-DAQ (Legacy), you must configure it in each.
  - If you are using an accessory, add the accessory information.
  - For IEEE 1451.4 transducer electronic data sheet (TEDS) sensors and accessories, configure the device and add the accessory as previously described. Click **Scan for TEDS**. To configure TEDS sensors cabled directly to a device, in MAX, right-click the device under Devices and Interfaces and select **Configure TEDS**.
3. Click **OK** to accept the changes.

## Step 8. Install Signal Conditioning or Switch Devices

---

If your system includes SCXI signal conditioning modules, Signal Conditioning Components (SCC) such as SC carriers and SCC modules, terminal blocks, or switch modules, refer to the getting started guide for the product to install and configure the signal conditioning or switch hardware.

The rest of this guide applies to DAQ and PXI integrated signal conditioning devices.

## Step 9. Attach Sensors and Signal Lines

---

Attach sensors and signal lines to the terminal block or accessory terminals.

You can view and print a connection diagram for NI-DAQmx tasks and virtual channels in your system through the DAQ Assistant. Select the task or virtual channel and click the **Connection Diagram** tab. Select each virtual channel in the task to view the terminal names and numbers for connections from sensor to connector block.

Pin assignments also are accessible from the device documents on the Device Document Browser, accessible from **Start»Programs»National Instruments»NI-DAQ»Browse Device Documentation** after you install it, and from the *Device Terminals* topics of the *Measurement & Automation Explorer Help for NI-DAQmx*.

For information about sensors, refer to [ni.com/sensors](http://ni.com/sensors) or the *Sensors* topic of the *NI-DAQmx Help*, which you can access from

## Start»Programs»National Instruments»NI-DAQ»NI-DAQmx Help.

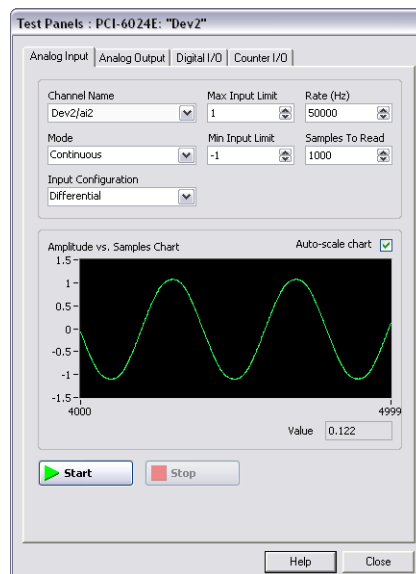
For information about IEEE 1451.4 TEDS smart sensors, refer to [ni.com/zone](http://ni.com/zone).

Switch specifications include a topology of the device.

# Step 10. Run Test Panels

Many devices have a test panel for testing specific device functionality, such as the ability to acquire and generate signals.

1. In MAX, expand **Devices and Interfaces»NI-DAQmx Devices**. If you are using a remote RT target, expand **Remote Systems**, find and expand your target, then expand **Devices and Interfaces**.
2. Right-click the device to test.
3. Select **Test Panels** to open a test panel for the selected device, shown in the following example.



4. Click the tabs to different functions of the device. Click **Help** for instructions about operating the test panels.
5. The test panel displays a message indicating whether an error occurred. If so, refer to the *NI-DAQmx Help* or [ni.com/support](http://ni.com/support) for troubleshooting information.
6. Click **Close** to exit the test panel.

If you installed more than one DAQ device, repeat [Step 7. Configure the Device Settings](#) through [Step 10. Run Test Panels](#) for each device.

# Step 11. Configure Channels and Tasks

---

This step applies only if you are programming your device using NI-DAQmx or NI application software.

A *task*, an important concept for NI-DAQmx, is one or more virtual channels with timing, triggering, and other properties. Conceptually, a task represents a measurement or generation to perform. You can set up and save configuration information in a task and use the task in an application.

In NI-DAQmx, you can configure virtual channels as part of a task or separate from a task. Virtual channels created inside a task are *local virtual channels*. Virtual channels defined outside a task are *global virtual channels*. You can create global virtual channels in MAX or in your application software and then save them in MAX. You can use global virtual channels in any application or add them to a number of different tasks. If you modify a global virtual channel, the change affects all tasks in which you reference that global virtual channel.

## Configure a Task in NI-DAQmx

When using NI-DAQmx, configure tasks with the DAQ Assistant. You must have version 7.0 or later of an NI application software package to create tasks and virtual channels with the DAQ Assistant.


- In MAX, right-click **Data Neighborhood** and select **Create New**. In the Create New window, select **NI-DAQmx Task** and click **Next**. If you are using a remote RT target, you must first expand **Remote Systems**, then find and expand your target to see **Data Neighborhood**.
- You also can open the DAQ Assistant directly within NI application software:
  - In LabVIEW, place on the block diagram the DAQ Assistant Express VI from the Express Input palette, as described in *Getting Started with LabVIEW*.  
  
You also can open the DAQ Assistant by right-clicking the DAQmx Task Name control from the DAQmx Name Controls palette and selecting **New Task (DAQ Assistant)**. *Taking an NI-DAQmx Measurement in LabVIEW* has step-by-step instructions for creating a task from the DAQmx Task Name control and generating code based on the task. In LabVIEW, select **Help»Taking an NI-DAQmx Measurement**.
  - In LabWindows/CVI:
    1. Select **Tools»Create/Edit DAQmx Tasks**. The Create/Edit DAQmx Tasks dialog box opens.
    2. Select **Create New Task In MAX** or **Create New Task In Project** and click **OK**.

- In Measurement Studio:
  1. Open Visual Studio .NET and the project in which you want to create a DAQmx task class.
  2. Select **Project»Add New Item**. The Add New Item dialog box opens.
  3. In the Categories pane, select **Measurement Studio» Assistants**.
  4. In the Templates pane, select **DAQmx Task Class**.
  5. Specify a name for the DAQmx task file and click **Open**.
  6. Specify whether to create a new task or a project copy of a global task you create in MAX and click **Finish**.

The DAQ Assistant prompts you to create a new task by selecting an I/O type, such as analog input, the measurement or generation to perform, the sensor applicable for that measurement, and the physical channel(s) from which to create local virtual channels in the task. Refer to the *DAQ Assistant Help* for instructions about creating tasks.

## Configure Global Virtual Channels in NI-DAQmx

When using NI-DAQmx, configure global virtual channels with the DAQ Assistant. You must use MAX to create global virtual channels, but you can add a global virtual channel from application software.

- To open the DAQ Assistant in MAX, right-click **Data Neighborhood** and select **Create New**. In the Create New window, select **NI-DAQmx Global Channel** and click **Next**.
- You can open the DAQ Assistant directly in NI application software:
  - In LabVIEW, right-click the DAQmx Global Channel control and select **New Channel (DAQ Assistant)**.
  - In LabWindows/CVI or Measurement Studio, first you must create a task as previously described. In the DAQ Assistant, click the add button () , then select a global virtual channel from the **Global** tab in the Add Channels to Task dialog box.

The DAQ Assistant prompts you to create a new global virtual channel by selecting an I/O type, such as analog input, the measurement or generation to perform, the sensor applicable for that measurement, and the physical channel from which to create a global virtual channel. Refer to the *DAQ Assistant Help* for instructions about creating tasks.

# Step 12. Use Your Device in an Application

---

## DAQ Assistant

Complete the following steps to use a measurement task in your application or generate code. Refer to the *DAQ Assistant Help* for more information.

### LabVIEW

1. Open a blank VI in LabVIEW.
2. Place the following constant on the block diagram: **NI Measurement»DAQmx-Data Acquisition»DAQmx Task Name Constant**.
3. Select the task from the pull-down menu.
4. Right-click the VI and select **Generate Code»Example**.
5. Run the program from the front panel.

### LabWindows/CVI

Refer to [ni.com/info](http://ni.com/info) and type `rddq73` for step-by-step instructions for using a task in LabWindows/CVI.

### Measurement Studio

Refer to [ni.com/info](http://ni.com/info) and type `rddqms` for step-by-step instructions for using a task in Measurement Studio.

## Examples

You can use examples to develop a new application or add example code to an existing application.

Software Application	Example Location
LabVIEW or LabWindows/CVI	<b>Help»Find Examples</b>
Measurement Studio-supported languages	
MFC C++	MeasurementStudioVS2003\VCNET\ Examples\DAQmx
Visual Basic .NET and C# examples*	MeasurementStudioVS2003\DotNET\ Examples\DAQmx
ANSI C	NI-DAQ\Examples\DAQmx ANSI C
* Do not require Measurement Studio	

For additional examples, refer to [ni.com/zone](http://ni.com/zone).

To run examples without hardware installed, you can use an NI-DAQmx simulated device. In MAX, refer to the *Measurement & Automation Explorer Help for NI-DAQmx* by selecting **Help»Help Topics»NI-DAQmx** for information about creating NI-DAQmx simulated devices.

## VI Logger Lite

The NI-DAQmx CD includes VI Logger Lite, an easy-to-use configuration-based tool specifically designed for data logging applications. The application is available at **Start»Programs»National Instruments»VI Logger**. The *VI Logger Help* is available from MAX at **Help»Help Topics»VI Logger**.

## More Information

---

After you install the device documentation, the browser and device documents are accessible from **Start»Programs»National Instruments»NI-DAQ»Browse Device Documentation**. The NI-DAQ software documents, such as the *NI-DAQmx Help* and *DAQ Getting Started Guide*, are accessible from **Start»Programs»National Instruments»NI-DAQ»NI-DAQmx document title**.

## Troubleshooting

---

Use the following resources if you have problems installing your DAQ hardware and/or software:

- For troubleshooting instructions, refer to the Hardware Installation/Configuration Troubleshooter at [ni.com/support/install](http://ni.com/support/install).
- Refer to [ni.com/kb](http://ni.com/kb) for documents about troubleshooting common installation and programming problems and for answering frequently asked questions about NI products.
- If you think you have damaged your device and need to return your National Instruments hardware for repair or device calibration, refer to [ni.com/info](http://ni.com/info) and enter the info code `rdseenn` to learn how to begin the Return Merchandise Authorization (RMA) process.

# Worldwide Technical Support

---

For additional support, refer to [ni.com/support](http://ni.com/support) or [ni.com/zone](http://ni.com/zone). For further support information for signal conditioning products, refer to the *Signal Conditioning Technical Support Information* document packaged with your device.

National Instruments corporate headquarters is located at 11500 North Mopac Expressway, Austin, Texas, 78759-3504. National Instruments also has offices located around the world to help address your support needs.

National Instruments, NI, ni.com, and LabVIEW are trademarks of National Instruments Corporation. Refer to the *Terms of Use* section on [ni.com/legal](http://ni.com/legal) for more information about National Instruments trademarks. Other product and company names mentioned herein are trademarks or trade names of their respective companies. For patents covering National Instruments products, refer to the appropriate location: **Help»Patents** in your software, the `patents.txt` file on your CD, or [ni.com/patents](http://ni.com/patents).



# Guide d'initiation DAQ

Ce guide décrit les étapes à suivre pour installer et configurer le driver NI-DAQmx 7.x, ainsi que votre périphérique d'acquisition de données (DAQ) NI, et confirmer que ce périphérique fonctionne correctement. Vous trouverez des instructions de configuration de NI-DAQ traditionnel (ancien driver) dans le *fichier Readme de NI-DAQ traditionnel (ancien driver)*, accessible sous **Démarrer»Programmes»National Instruments»NI-DAQ** lorsque le logiciel a été installé.

## Logiciel NI-DAQ 7.x

---

Les périphériques de mesure National Instruments sont fournis avec le *logiciel de drivers NI-DAQ*, une grande bibliothèque de VIs et de fonctions C ANSI qui vous permettent d'appeler le logiciel de votre application, comme LabVIEW ou LabWindows™/CVI™ par exemple, pour programmer vos *périphériques de mesure* NI, tels que les modules d'E/S multifonctions (MIO) de la série M, les modules de conditionnement de signal et les modules Switch. Le logiciel de drivers comporte une *API (Application Programming Interface)*, composée d'une bibliothèque de VIs, de fonctions, de classes, d'attributs et de propriétés qui servent à créer des applications pour votre périphérique.

NI-DAQ 7.x comprend deux drivers NI-DAQ, chacun avec ses propres APIs et ses propres configurations matérielle et logicielle. NI-DAQmx est le tout dernier driver NI-DAQ ; il a les avantages suivants par rapport à NI-DAQ traditionnel (ancien driver).

- Assistant DAQ, une méthode graphique permettant de configurer des voies virtuelles et des tâches de mesure pour votre périphérique, et de générer du code NI-DAQmx basé sur vos voies virtuelles et vos tâches, en vue de l'utiliser avec LabVIEW, LabWindows/CVI et Measurement Studio et VI Logger
- Des performances accrues, notamment des E/S analogiques point par point et un multithreading plus rapides
- La simulation NI-DAQmx pour la plupart des périphériques supportés, afin de tester et de modifier des applications sans connecter de matériel ; reportez-vous au *fichier readme de NI-DAQ* pour obtenir une liste des périphériques supportés par NI-DAQmx qui ne peuvent pas être simulés par NI-DAQmx

- Des API plus simples et plus intuitives pour créer des applications DAQ en utilisant moins de fonctions et de VIs, comparé aux versions antérieures de NI-DAQ.

NI-DAQ traditionnel (ancien driver) est un ancien driver dont les API obsolètes permettent de développer des applications d'acquisition de données, d'instrumentation et de contrôle conçues pour les anciens périphériques DAQ de National Instruments. Vous devriez utiliser NI-DAQ traditionnel (ancien driver) *uniquement* dans certaines circonstances. Reportez-vous au *fichier readme de NI-DAQ* pour savoir dans quels cas l'utilisation de NI-DAQ traditionnel (ancien driver) se justifie, et pour obtenir des informations complémentaires, notamment la liste des périphériques, systèmes d'exploitation et versions de logiciel d'application et de langages supportés.

## Étape 1. Installez le logiciel d'application

---

Installez votre logiciel d'application NI. Pour utiliser NI-DAQmx, installez LabVIEW 7.x, LabWindows/CVI 7.x, Measurement Studio 7.x, VI Logger 2.x ou le Module LabVIEW Real-Time 7.1 ou version ultérieure.

Si vous avez une application qui a été développée avec une version antérieure de votre logiciel d'application ou de NI-DAQ, faites-en une copie de sauvegarde. Vous pouvez ensuite mettre à jour votre logiciel et modifier l'application.

## Étape 2. Installez NI-DAQ 7.x

---

Installez le logiciel de drivers *avant* d'installer de nouveaux périphériques matériels, de sorte que Windows puisse détecter vos périphériques. *N'installez pas* NI-DAQ 7.x si vos applications existantes comportent des composants non supportés listés dans le *fichier readme de NI-DAQ*.

1. Insérez le CD. L'installeur NI-DAQ 7.x devrait s'ouvrir automatiquement. Si ce n'est pas le cas, sélectionnez **Démarrer» Exécuter**. Entrez `x:\setup.exe`, `x` correspondant à la lettre du lecteur de CD. Pour consulter des instructions de dépannage, reportez-vous à la rubrique Hardware Installation/Configuration Troubleshooter sur [ni.com/support/install](http://ni.com/support/install).
2. Installez le logiciel.
  - **Installer** copie les fichiers du logiciel et/ou de la documentation sur votre disque dur. La documentation du logiciel NI-DAQ est installée lorsque vous installez le logiciel de drivers.

- **Consulter** ouvre la documentation sur les périphériques pour vous permettre de rechercher, d'afficher et d'imprimer des documents sans les installer.



**Attention** NI-DAQ 7.x ne peut pas coexister avec une version antérieure de NI-DAQ sur le même ordinateur. Lorsque vous installez NI-DAQ 7.x, la dernière version de NI-DAQ traditionnel (ancien driver) remplace les versions précédentes de NI-DAQ (NI-DAQ traditionnel et NI-DAQ 6.x) et tous les fichiers support installés par celles-ci.

3. Installez les fichiers support. L'installateur NI-DAQ détecte tous les logiciels NI installés sur le système et choisit automatiquement sur le CD les fichiers support des versions les plus récentes des drivers, des logiciels d'application et des langages qu'il a détectés. Vérifiez que l'installateur a détecté et sélectionné les fichiers support corrects et le bon numéro de version.

Si vous installez NI-DAQ avant d'installer un logiciel d'application NI de la version 7.x, vous devez à nouveau exécuter l'installateur NI-DAQ afin d'installer le fichier support qui convient pour ce logiciel d'application.

4. Cliquez sur **Suivant** aux invites.
5. Cliquez sur **Terminer**.
6. Une fois que l'installateur NI-DAQ a terminé, un message apparaît pour vous demander si vous voulez quitter, arrêter ou redémarrer.
  - Cliquez sur **Quitter** pour installer un autre logiciel NI ou de la documentation supplémentaire.
    - Installez la documentation en ligne pour les périphériques et les accessoires supportés, notamment des fichiers PDF et des fichiers d'aide décrivant les terminaux, les spécifications, les fonctionnalités et le mode d'opération du périphérique. Réinsérez le CD NI-DAQ pour rouvrir l'écran de l'installateur. Sélectionnez **Installer la documentation sur les périphériques**.
    - Si vous utilisez un lien MXI-3 à partir d'un PC pour contrôler un châssis PXI, vous devez quitter le programme et installer le logiciel MXI-3, disponible sur [ni.com/downloads](http://ni.com/downloads), avant d'utiliser le périphérique DAQ.
  - Cliquez sur **Arrêter** si vous êtes prêt à installer votre périphérique.
  - Cliquez sur **Redémarrer** si vous utilisez un système qui exécute le Module LabVIEW Real-Time. Téléchargez NI-DAQ 7.x vers la cible à l'aide de MAX (Measurement & Automation Explorer). Reportez-vous à l'*Aide Measurement & Automation Explorer sur*

## Étape 3. Déballez les périphériques, les accessoires et les câbles

---

Retirez le périphérique de son emballage et examinez les composants pour repérer tout signe d'endommagement. Contactez NI si le périphérique apparaît endommagé d'une façon quelconque. *N'installez pas* un périphérique endommagé.

Vous trouverez des informations sur la sécurité et la conformité dans la documentation sur les périphériques, disponible sur [ni.com/manuals](http://ni.com/manuals) ou à partir de **Démarrer»Programmes»National Instruments»NI-DAQ»Browse Device Documentation** après l'avoir installée.

Les symboles suivants peuvent figurer sur votre périphérique.



Cette icône signale un avertissement qui vous indique les précautions à prendre pour éviter des préjudices corporels, des pertes de données ou un blocage du système. Si ce symbole est présent sur le périphérique, reportez-vous au document *Read Me First: Safety and Radio-Frequency Interference*, livré avec le périphérique, pour vous renseigner sur les précautions à prendre.



La présence de ce symbole sur un produit indique une mise en garde vous conseillant de prendre des précautions pour éviter les chocs électriques.



La présence de ce symbole sur un produit indique qu'un composant risque d'être brûlant. Toucher ce produit peut provoquer des préjudices corporels.

## Étape 4. Installez les périphériques, les accessoires et les câbles

---

Si vous avez plusieurs périphériques DAQ à installer, installez-les tous maintenant. Si votre système comporte des modules SCXI à connecter à des périphériques DAQ, installez d'abord les composants DAQ.



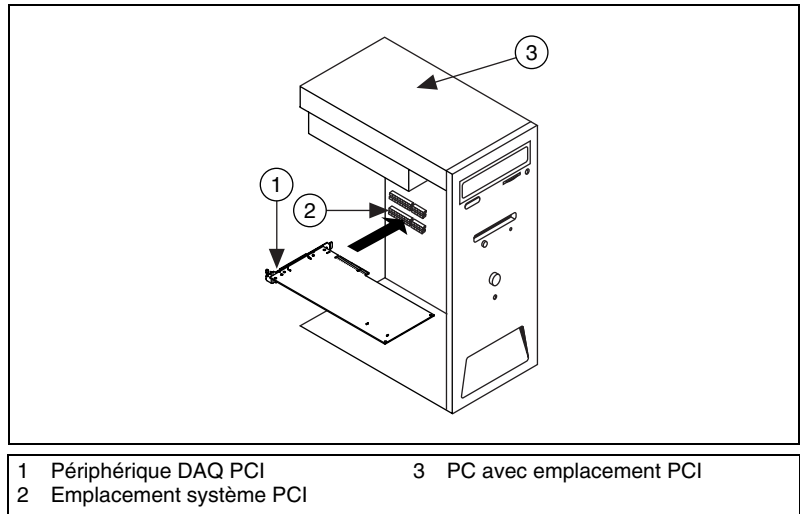
**Attention** Respectez les précautions à suivre contre les dommages électrostatiques avant d'installer le matériel. Consultez le document des spécifications se rapportant à votre périphérique pour lire des informations importantes concernant la sécurité et la compatibilité.

Vous pouvez tester des applications NI-DAQmx sans installer de matériel en utilisant un périphérique simulé par NI-DAQmx. Reportez-vous à l'*Aide Measurement & Automation Explorer pour NI-DAQmx* en sélectionnant **Aide»Rubriques de l'aide»NI-DAQmx** pour obtenir des informations sur la création de périphériques simulés NI-DAQmx.

## Périphériques PCI

Effectuez les étapes suivantes pour installer le périphérique PCI :

1. Mettez le châssis hors tension et débranchez-le de l'ordinateur.
2. Retirez le capot de votre ordinateur et/ou le cache de l'emplacement d'extension.
3. Touchez n'importe quelle partie métallique de l'ordinateur pour décharger l'électricité statique.
4. Insérez le périphérique dans l'emplacement PCI. Ajustez-le soigneusement pour qu'il soit parfaitement inséré. *Ne forcez pas* le périphérique dans son emplacement.



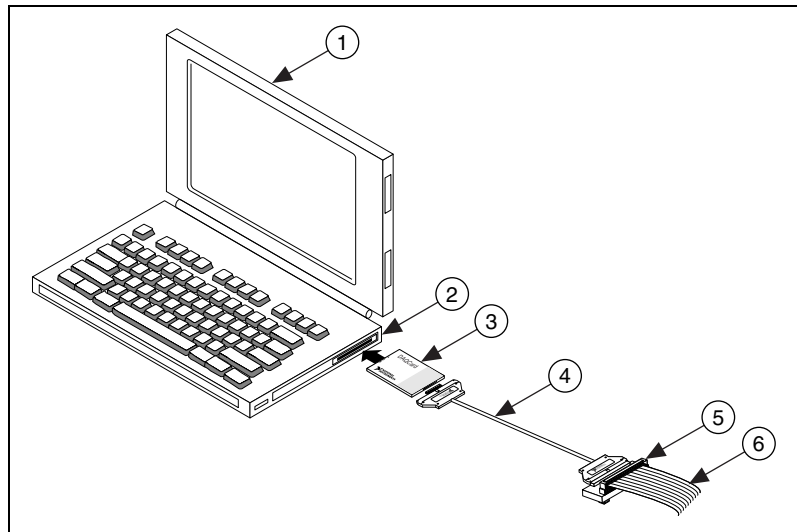
**Figure 1.** Installation d'un périphérique PCI

5. Fixez le support de fixation du périphérique au rail du panneau arrière de l'ordinateur.
6. Remettez en place le capot de l'ordinateur.

## Périphériques PCMCIA

Vous pouvez installer le périphérique NI PCMCIA dans n'importe quel emplacement de carte PC de type II disponible. Effectuez les étapes suivantes.

1. Si nécessaire, retirez le cache de protection de l'emplacement PCMCIA.
2. Insérez le connecteur de bus PCMCIA du périphérique PCMCIA dans l'emplacement jusqu'à ce qu'il soit solidement installé.



1 Ordinateur avec emplacement PCMCIA	4 Câble d'E/S blindé
2 Prise PCMCIA	5 Accessoire
3 Périphérique PCMCIA	6 Lignes des signaux

**Figure 2.** Installation d'un périphérique PCMCIA dans un ordinateur portable

3. Branchez le câble d'E/S. Prenez garde de ne pas tirer trop fort sur le câble d'E/S quand vous insérez ou retirez son connecteur. Saisissez toujours le câble par son connecteur quand vous le connectez ou l'enlevez. *Ne tirez jamais* directement sur le câble d'E/S pour le débrancher du périphérique PCMCIA.

## Périphériques PXI

Effectuez les étapes suivantes pour installer le module PXI.

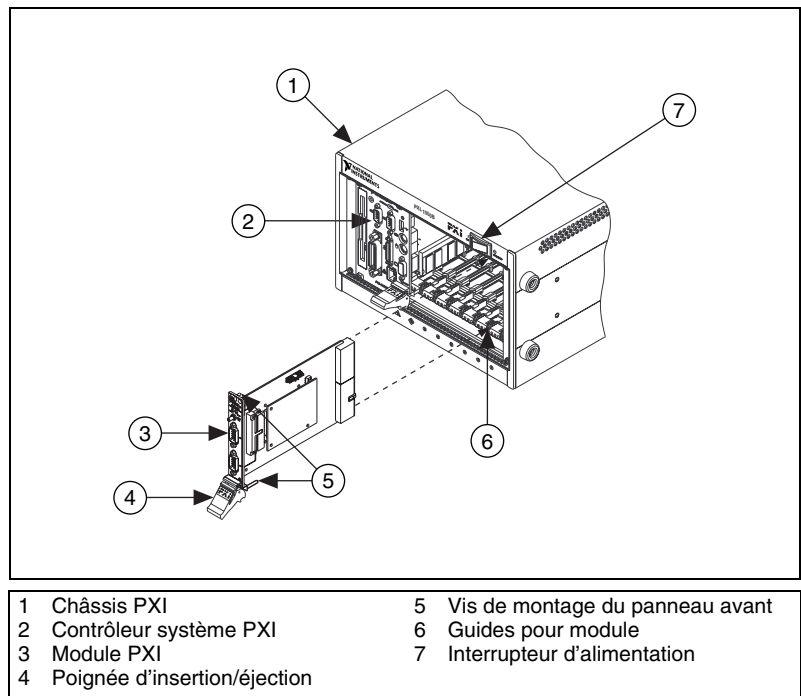
1. Mettez le châssis PXI hors tension et débranchez-le.



**Attention** Reportez-vous au document *Read Me First: Safety and Radio-Frequency Interference* livré avec votre châssis ou périphérique PXI avant de retirer le couvercle du matériel ou de connecter et de déconnecter des câbles de signal.

2. Retirez le cache de protection d'un emplacement PXI vide. Pour savoir quels emplacements utiliser dans le châssis, reportez-vous à la documentation sur les périphériques, comme expliqué dans l'[Étape 2. Installez NI-DAQ 7.x.](#)

3. Touchez n'importe quelle partie métallique du châssis pour décharger l'électricité statique.
4. Vérifiez que la poignée d'insertion/éjection du module PXI n'est pas verrouillée et qu'elle tourne librement.
5. Placez les bords du module PXI dans les guides pour module en haut et en bas du châssis.
6. Faites glisser le périphérique dans l'emplacement PXI à l'arrière du châssis.
7. Dès que vous sentez une résistance, relevez la poignée d'insertion/éjection pour insérer complètement le périphérique.
8. Vissez le périphérique sur le support de fixation situé à l'avant du châssis à l'aide des vis de montage.



**Figure 3.** Installation d'un périphérique PXI

## Périphériques USB/IEEE 1394

Exécutez ces étapes pour installer un périphérique NI de type USB ou IEEE 1394 :

1. Effectuez les connexions d'alimentation.
  - Si vous utilisez un pack batterie BP-1, suivez les instructions de votre guide d'installation BP-1.

- Certains périphériques NI de type USB ou IEEE 1394 nécessitent une alimentation externe.
  - Si votre périphérique utilise une alimentation externe, assurez-vous que la tension sur le bloc d'alimentation externe, le cas échéant, est compatible avec le courant secteur dans votre région (120 ou 230 VAC) et avec la tension exigée par votre périphérique. Connectez une extrémité du bloc d'alimentation à une prise secteur et branchez l'autre extrémité au périphérique.
  - Si votre périphérique est doté d'un cordon d'alimentation, connectez une extrémité du cordon d'alimentation au périphérique et l'autre à une prise secteur.
- 2. Reliez le câble entre le port USB ou IEEE 1394, situé directement sur le PC ou sur tout autre hub ou périphérique IEEE 1394, et le port USB ou IEEE 1394 du périphérique.
- 3. Si votre périphérique USB ou IEEE 1394 est équipé d'un bouton d'alimentation, mettez-le sous tension. L'ordinateur devrait détecter immédiatement votre périphérique.

## Accessoires

Installez les accessoires et/ou les blocs de connexion suivant les instructions fournies dans leurs guides d'installation respectifs. Pour les systèmes de conditionnement de signal SCXI et SCC, continuez à suivre les instructions de ce guide jusqu'à l'*Étape 8. Installez les périphériques de conditionnement de signal ou de commutation.*

## Étape 5. Mettez votre ordinateur ou châssis PXI sous tension

---

Windows détecte et reconnaît tous les périphériques nouvellement installés dès le premier redémarrage qui suit l'installation. Sur certains systèmes Windows, l'Assistant Nouveau matériel détecté s'ouvre avec une boîte de dialogue pour chaque périphérique NI installé. **Installer le logiciel automatiquement (Recommandé)** est sélectionné par défaut. Cliquez sur **Suivant** ou sur **Oui** pour installer le logiciel de chaque périphérique.

Lorsque l'ordinateur reconnaît un périphérique USB ou IEEE 1394, le voyant LED d'alimentation clignote ou s'allume. Reportez-vous à la documentation sur le périphérique pour obtenir une explication des états de la LED.

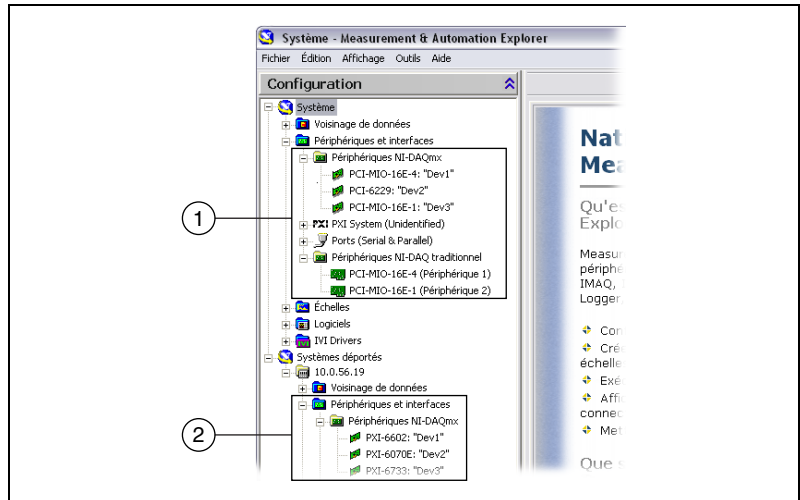


# Étape 6. Confirmez que le périphérique est reconnu

Suivez ces étapes :



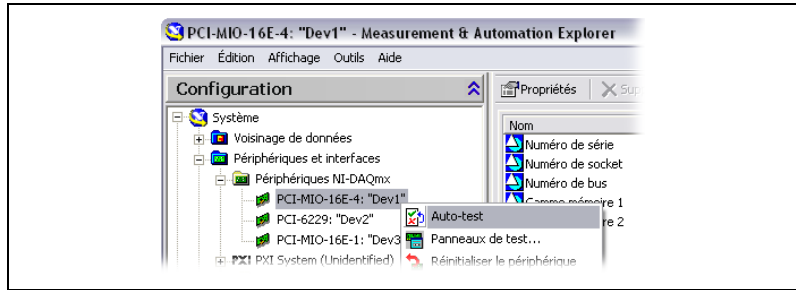
1. Double-cliquez sur l'icône **Measurement & Automation** qui se trouve sur le bureau pour ouvrir MAX.
2. Développez la catégorie **Périphériques et interfaces** puis la catégorie **Périphériques NI-DAQmx**. Si vous utilisez une cible RT déportée, développez l'élément **Systèmes déportés**, recherchez et développez votre cible, et développez ensuite la catégorie **Périphériques et interfaces**. Vous trouverez des instructions de configuration de NI-DAQ traditionnel (ancien driver) dans le *fichier readme de NI-DAQ traditionnel (ancien driver)*, accessible à partir de **Démarrer» Programmes» National Instruments» NI-DAQ** lorsque le logiciel a été installé.



- 1 Quand un périphérique est supporté à la fois par NI-DAQmx et NI-DAQ traditionnel (ancien driver) et que ces deux drivers sont installés, le même périphérique apparaît sous un nom différent sous **Système»Périphériques et interfaces**.
- 2 Seuls les périphériques NI-DAQmx sont recensés sous **Systèmes déportés» Périphériques et interfaces**.

3. Vérifiez que votre périphérique apparaît bien sous Périphériques et interfaces. Si votre périphérique n'apparaît pas, appuyez sur <F5> pour rafraîchir l'affichage dans MAX. Si votre périphérique n'est toujours pas reconnu, reportez-vous à la page [ni.com/support/install](http://ni.com/support/install).

4. Faites un clic droit sur le périphérique et sélectionnez **Auto-test**.



Si vous avez besoin d'aide au cours de l'auto-test, ouvrez *Aide Measurement & Automation Explorer pour NI-DAQmx* en sélectionnant **Aide»Rubriques de l'aide»NI-DAQmx**. Au terme de l'auto-test, un message s'affiche, indiquant si la vérification s'est déroulée sans problème ou si une erreur a eu lieu. Si une erreur s'est produite, reportez-vous à [ni.com/support/install](http://ni.com/support/install) pour obtenir des informations de dépannage.

Vous pouvez tester des applications NI-DAQmx sans installer de matériel en utilisant un périphérique simulé NI-DAQmx. Reportez-vous à *Aide Measurement & Automation Explorer pour NI-DAQmx* en sélectionnant **Aide»Rubriques de l'aide»NI-DAQmx** pour obtenir des instructions sur la manière de créer des périphériques simulés NI-DAQmx, et sur la manière d'importer des configurations de périphériques simulés NI-DAQmx sur des périphériques matériels.

## Étape 7. Configurez les paramètres du périphérique

Configurez chaque périphérique que vous installez :

1. Effectuez un clic droit sur le nom du périphérique et sélectionnez **Propriétés**. Assurez-vous de cliquer sur le nom du périphérique se trouvant dans le dossier du système (Système ou Systèmes déportés) et de l'API de NI-DAQ que vous voulez utiliser pour contrôler le périphérique.
2. Configurez les propriétés du périphérique. Pour utiliser un périphérique à la fois dans NI-DAQmx et dans NI-DAQ traditionnel (ancien driver), vous devez le configurer dans chacun de ces drivers.
  - Si vous utilisez un accessoire, ajoutez les informations qui le concernent.
  - Pour des capteurs et des accessoires TEDS (Transducer Electronic Data Sheet) IEEE 1451.4, configurez le périphérique et ajoutez les accessoires comme décrit plus haut. Cliquez sur **Recherche de TEDS**. Pour configurer des capteurs TEDS qui sont connectés

directement à un périphérique, faites un clic droit dans MAX sur le périphérique figurant sous Périphériques et interfaces et sélectionnez **Configurer un TEDS**.

3. Cliquez sur **OK** pour valider les changements.

## Étape 8. Installez les périphériques de conditionnement de signal ou de commutation

---

Si votre système comporte des modules de conditionnement de signal SCXI et SCC (Signal Conditioning Components), comme les boîtiers SC et les modules SCC, des bloc de terminaison ou des modules de commutation, reportez-vous au guide d'initiation du produit pour installer et configurer le matériel de conditionnement de signal ou de commutation.

Le reste de ce guide s'applique aux périphériques DAQ et aux périphériques de conditionnement de signal intégré PXI.

## Étape 9. Connectez les lignes de capteurs et de signaux

---

Connectez les capteurs et les lignes de signaux au bloc de connexion ou aux accessoires.

Vous pouvez afficher et imprimer un schéma des connexions pour les tâches et les voies virtuelles NI-DAQmx dans votre système à l'aide de l'Assistant DAQ. Sélectionnez la tâche ou la voie virtuelle et cliquez sur l'onglet **Diagramme des connexions**. Sélectionnez chaque voie virtuelle dans la tâche pour afficher les connexions entre les capteurs et les blocs de connexion.

Les affectations de broches sont également indiquées dans la documentation du périphérique qui se trouve dans l'explorateur Device Document Browser, accessible à partir de **Démarrer»Programmes»National Instruments»NI-DAQ»Browse Device Document** une fois la documentation installée, et dans la rubrique *Device Terminals* de l'*Aide Measurement & Automation Explorer pour NI-DAQmx*.

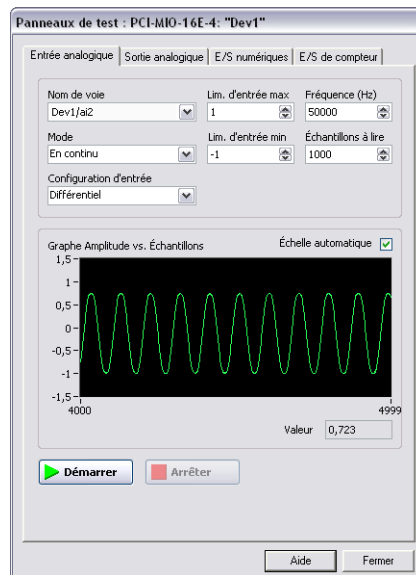
Pour obtenir des informations sur les capteurs, reportez-vous à la page [ni.com/sensors](http://ni.com/sensors) ou à la rubrique *Sensors* de l'*Aide NI-DAQmx*, accessible à partir de **Démarrer»Programmes»National Instruments»NI-DAQ»NI-DAQmx Help**. Pour obtenir des informations sur les capteurs intelligents TEDS IEEE 1451.4, consultez le site [ni.com/zone](http://ni.com/zone).

Les spécifications d'un module de commutation comprennent une topologie de ce périphérique.

# Étape 10. Exécutez les panneaux de test

De nombreux périphériques comportent un panneau de test pour tester des fonctionnalités spécifiques à ce périphérique, par exemple sa capacité à acquérir ou à générer des signaux.

1. Dans MAX, développez la catégorie **Périphériques et interfaces» Périphériques NI-DAQmx**. Si vous utilisez une cible RT déportée, développez l'élément **Systèmes déportés**, recherchez et développez votre cible, et développez ensuite la catégorie **Périphériques et interfaces**.
2. Cliquez avec le bouton droit sur le périphérique à tester.
3. Sélectionnez **Panneaux de test** pour ouvrir le panneau de test correspondant au périphérique sélectionné, comme le montre l'exemple suivant.



4. Cliquez sur les onglets pour tester différentes fonctions du périphérique. Cliquez sur **Aide** pour obtenir des instructions sur l'utilisation des panneaux de test.
5. Le panneau de test affiche un message indiquant si une erreur s'est produite. Reportez-vous à *NI-DAQmx Help* ou à [ni.com/france/support](http://ni.com/france/support) pour obtenir des informations de dépannage.
6. Cliquez sur **Fermer** pour quitter le panneau de test.

Si vous avez installé plus d'un périphérique DAQ, répétez l'[Étape 7. Configurez les paramètres du périphérique](#) à l'[Étape 10. Exécutez les panneaux de test](#) pour chacun d'eux.

# Étape 11. Configurez les voies et les tâches

---

Cette étape ne s'applique que si vous programmez votre périphérique à l'aide de NI-DAQmx ou d'un logiciel d'application NI.

Une *tâche*, concept essentiel de NI-DAQmx, est constituée d'une ou de plusieurs voies virtuelles et de propriétés de cadencement, de déclenchement et autres. Fondamentalement, une tâche représente la mesure ou la génération à réaliser. Vous pouvez définir et enregistrer toutes les informations de configuration dans une tâche et l'utiliser dans une application.

Dans NI-DAQmx, les voies virtuelles peuvent être définies comme faisant partie d'une tâche ou être configurées séparément de celle-ci. Les voies virtuelles créées à l'intérieur d'une tâche sont des *voies virtuelles locales*. Les voies virtuelles créées à l'extérieur d'une tâche sont des *voies virtuelles globales*. Vous pouvez créer des voies virtuelles globales dans MAX ou dans votre application logicielle, puis les enregistrer sous MAX. Vous pouvez utiliser les voies virtuelles globales dans n'importe quelle application ou les ajouter à différentes tâches. Si vous modifiez une voie virtuelle globale, les changements affectent toutes les tâches dans lesquelles cette voie est utilisée.

## Configuration d'une tâche dans NI-DAQmx

Lorsque vous utilisez NI-DAQmx, configurez les tâches à l'aide de l'Assistant DAQ. Vous devez avoir la version 7.0 ou une version ultérieure du logiciel d'application NI pour créer des tâches et des voies virtuelles avec l'Assistant DAQ.

- Dans MAX, cliquez avec le bouton droit sur **Voisinage de données** et sélectionnez **Créer un nouvel objet**. Dans la fenêtre Créer un nouvel objet, sélectionnez **Tâche NI-DAQmx**, puis cliquez sur **Suivant**. Si vous utilisez une cible RT déportée, vous devez d'abord développer l'élément **Systèmes déportés**, puis rechercher et développer votre cible pour voir **Voisinage de données**.
- Vous pouvez également ouvrir directement l'Assistant DAQ à partir de votre logiciel d'application NI :
  - Dans LabVIEW, déposez le VI Express Assistant DAQ sur le diagramme à partir de la palette "Entrée" des VIs Express, comme expliqué dans le manuel *Initiation à LabVIEW*.

Vous pouvez également ouvrir l'Assistant DAQ en cliquant avec le bouton droit sur la commande Nom de tâche DAQmx de la palette de commandes Nom DAQmx et en sélectionnant **Nouvelle tâche (Assistant DAQ)**. Le tutorial d'aide *Prendre une mesure NI-DAQmx dans LabVIEW* contient des instructions pas-à-pas

pour créer une tâche à partir de la commande Nom de tâche DAQmx et générer le code associé à la tâche. Dans LabVIEW, sélectionnez **Aide»Prendre une mesure NI-DAQmx**.


- Dans LabWindows/CVI :
  1. Sélectionnez **Tools»Create/Edit DAQmx Tasks**. La boîte de dialogue Create/Edit DAQmx Tasks s'ouvre.
  2. Sélectionnez **Create New Task In MAX** ou **Create New Task In Project** et cliquez sur **OK**.
- Dans Measurement Studio :
  1. Ouvrez Visual Studio .NET et le projet dans lequel vous voulez créer une classe de tâche DAQmx.
  2. Sélectionnez **Project»Add New Item**. La boîte de dialogue Add New Item s'affiche.
  3. Dans la sous-fenêtre Categories, sélectionnez **Measurement Studio»Assistants**.
  4. Dans la sous-catégorie Templates, sélectionnez **DAQmx Task Class**.
  5. Spécifiez le nom du fichier de tâche DAQmx et cliquez sur **Open**.
  6. Précisez si vous voulez créer une nouvelle tâche ou faire une copie de projet d'une tâche globale créée dans MAX et cliquez sur **Terminer**.

L'Assistant DAQ vous invite à créer une nouvelle tâche en sélectionnant le type d'E/S (entrée analogique, par exemple), la mesure ou la génération à effectuer, le capteur qui fera la mesure, et la ou les voies physiques à partir desquelles les voies virtuelles locales de la tâche seront créées. Reportez-vous à l'*Aide Assistant DAQ* pour obtenir des instructions sur la création de tâches.

## Configuration de voies virtuelles globales dans NI-DAQmx

Si vous utilisez NI-DAQmx, configurez les voies virtuelles globales à l'aide de l'Assistant DAQ. Vous devez utiliser MAX pour créer des voies virtuelles globales, mais vous pouvez ajouter une voie virtuelle globale à partir du logiciel d'application.

- Pour ouvrir l'Assistant DAQ dans MAX, faites un clic droit sur **Voisinage de données** et sélectionnez **Créer un nouvel objet**. Dans la fenêtre Créer un nouvel objet, sélectionnez **Voie globale NI-DAQmx**, puis cliquez sur **Suivant**.

- Vous pouvez également ouvrir directement l'Assistant DAQ depuis le logiciel d'application NI :
  - Dans LabVIEW, cliquez avec le bouton droit sur la commande Voie globale DAQmx et sélectionnez **Nouvelle voie (Assistant DAQ)**.
  - Dans LabWindows/CVI ou Measurement Studio, vous devez au préalable créer une tâche, comme expliqué précédemment. Dans l'Assistant DAQ, cliquez sur le bouton d'ajout () , puis sélectionnez une voie virtuelle globale dans l'onglet **Globale** de la boîte de dialogue Ajouter des voies à la tâche.

L'Assistant DAQ vous invite à créer une nouvelle tâche globale en sélectionnant le type d'E/S (entrée analogique, par exemple), la mesure ou la génération à effectuer, le capteur qui fera la mesure, et la voie physique à partir de laquelle la voie virtuelle globale sera créée. Reportez-vous à l'*Aide Assistant DAQ* pour obtenir des instructions sur la création de tâche.

## Étape 12. Utilisez votre périphérique dans une application

---

### Assistant DAQ

Effectuez les étapes suivantes pour utiliser une tâche de mesure dans votre application ou générer du code. Reportez-vous à l'*Aide Assistant DAQ* pour obtenir de plus amples informations.

#### LabVIEW

1. Ouvrez un VI vide dans LabVIEW.
2. Placez la constante suivante sur le diagramme : **Mesures NI» Acquisition de données DAQmx» Constante de nom de tâche DAQmx**.
3. Sélectionnez la tâche dans la liste déroulante.
4. Faites un clic droit sur le VI et sélectionnez **Générer le code» Exemple**.
5. Exécutez le programme à partir de la face-avant.

#### LabWindows/CVI

Reportez-vous à [ni.com/info](http://ni.com/info) et tapez rddq73 pour obtenir des instructions pas à pas sur l'utilisation d'une tâche dans LabWindows/CVI.

# Measurement Studio

Reportez-vous à [ni.com/info](http://ni.com/info) et tapez `rdqms` pour obtenir des instructions pas à pas sur l'utilisation d'une tâche dans Measurement Studio.

## Exemples

Vous pouvez utiliser les exemples pour développer une nouvelle application ou ajouter le code des exemples dans une application existante.

Application logicielle	Emplacement des exemples
LabVIEW ou LabWindows/CVI	<b>Aide»Recherche d'exemples</b>
Langages supportés par Measurement Studio MFC C++  Exemples Visual Basic .NET et C#*	MeasurementStudioVS2003\VCNET\ Examples\DAQmx  MeasurementStudioVS2003\DotNET\ Examples\DAQmx
ANSI C	NI-DAQ\Examples\DAQmx ANSI C
* Measurement Studio n'est pas requis	

Pour consulter d'autres exemples, visitez le site [ni.com/zone](http://ni.com/zone).

Pour exécuter des exemples sans matériel installé, vous pouvez utiliser un périphérique simulé NI-DAQmx. Dans MAX, reportez-vous à l'*Aide Measurement & Automation Explorer pour NI-DAQmx* en sélectionnant **Aide»Rubriques de l'aide»NI-DAQmx** pour obtenir des informations sur la création de périphériques simulés NI-DAQmx.

## VI Logger Lite

Le CD NI-DAQmx comprend VI Logger Lite, un outil basé sur la configuration et facile à utiliser, conçu spécifiquement pour les applications d'enregistrement de données. L'application est disponible à partir de **Démarrer»Programmes»National Instruments»VI Logger**. L'aide, *VI Logger Help*, est disponible dans MAX sous **Aide»Rubriques de l'aide»VI Logger**.



# Informations supplémentaires

---

Après l'installation de la documentation sur les périphériques, vous pouvez accéder à l'explorateur et à la documentation des périphériques à partir de **Démarrer»Programmes»National Instruments»NI-DAQ»Browse Device Documentation**. Les documents sur le logiciel NI-DAQ, comme *NI-DAQmx Help* et le *Guide d'initiation DAQ*, sont disponibles sous **Démarrer»Programmes»National Instruments»NI-DAQ»titre du document NI-DAQmx**.

## Dépannage

---

Utilisez les ressources suivantes si vous vous heurtez à des problèmes lors de l'installation de votre matériel et/ou logiciel DAQ :

- Pour consulter des instructions de dépannage, reportez-vous à la rubrique Hardware Installation/Configuration Troubleshooter sur [ni.com/support/install](http://ni.com/support/install).
- Reportez-vous à [ni.com/kb](http://ni.com/kb) pour accéder aux documents se rapportant au dépannage des problèmes courants d'installation et de programmation, et pour obtenir les réponses aux questions les plus fréquentes concernant les produits NI.
- Si vous pensez avoir endommagé votre périphérique et que vous jugez devoir retourner votre matériel National Instruments pour le faire réparer ou étalonner, reportez-vous à [ni.com/contact](http://ni.com/contact) pour savoir comment procéder pour obtenir une autorisation de renvoi de marchandise.

## Support technique dans le monde entier

---

Pour obtenir un support complémentaire, visitez le site [ni.com/france/support](http://ni.com/france/support) ou [ni.com/zone](http://ni.com/zone). Pour obtenir des informations de support supplémentaires sur les produits de conditionnement de signal, reportez-vous au document *Signal Conditioning Technical Support Information* fourni avec votre périphérique.

Le siège social de National Instruments est situé à cette adresse :  
11500 North Mopac Expressway, Austin, Texas, 78759-3504, États-Unis.  
National Instruments compte aussi des filiales dans le monde entier pour répondre à vos besoins de support.

National Instruments, NI, ni.com et LabVIEW sont des marques de National Instruments Corporation. Pour plus d'informations concernant les marques de National Instruments, veuillez vous référer à la partie *Terms of Use* sur le site [ni.com/legal](http://ni.com/legal). Les autres noms de produits et de sociétés mentionnés aux présentes sont les marques ou les noms de leurs propriétaires respectifs. Pour la liste des brevets protégeant les produits National Instruments, veuillez vous référer, selon le cas : à la rubrique **Aide»Brevets** de votre logiciel, au fichier `patents.txt` sur votre CD, ou à [ni.com/patents](http://ni.com/patents).

# Erste Schritte mit NI-DAQ

In der vorliegenden Broschüre erhalten Sie eine Anleitung zur Installation eines Datenerfassungsgeräts und der Treibersoftware NI-DAQmx 7.x und erfahren, wie das Gerät auf Funktionstüchtigkeit überprüft wird. Die Konfiguration des traditionellen NI-DAQ-Treibers (alt) ist in der *Readme zum traditionellen NI-DAQ-Treiber* beschrieben, die nach Installation des Treibers über **Start»Programme»National Instruments»NI-DAQ** geöffnet werden kann.

## NI-DAQ 7.x

---

Alle *messtechnischen Geräte* von National Instruments wie MIO-Karten der M-Serie, Signalkonditionierungs- oder Schaltmodule werden mit dem *NI-DAQ-Treiber* ausgeliefert, zu dem es eine umfangreiche VI-Bibliothek und ANSI-C-Funktionen für Entwicklungsumgebungen wie LabVIEW oder LabWindows™/CVI™ gibt. Der Treiber ist mit einer eigenen *API* in Form einer Bibliothek von VIs, Funktionen, Klassen, Attributen und Eigenschaften ausgestattet, mit der Sie Programme für Ihre Geräte erstellen können.

NI-DAQ 7.x umfasst zwei eigenständige NI-DAQ-Treiber mit jeweils eigener Funktionen- und VI-Bibliothek sowie Hardware- und Softwarekonfiguration. NI-DAQmx ist der neueste NI-DAQ-Treiber. Er weist gegenüber dem traditionellen NI-DAQ-Treiber folgende Vorteile auf:

- Zu NI-DAQmx gehört ein so genannter DAQ-Assistent. Darin können Sie virtuelle Kanäle und Tasks für Messungen mit einem bestimmten Gerät konfigurieren und diese Einstellungen in Programmcode für LabVIEW, LabWindows/CVI, Measurement Studio und VI Logger umwandeln lassen.
- Leistungsfähigere Funktionen, zum Beispiel schnellere Ein- und Ausgabe einzelner Werte oder Multithreading
- Simulation der meisten Geräte, die NI-DAQmx unterstützt (die genaue Liste finden Sie in der *NI-DAQ Readme*), so dass Sie Ihre Applikationen ohne die Hardware testen können.
- Einfachere, intuitiver gestaltete Programmieroberfläche, die mit weniger VIs und Funktionen als frühere NI-DAQ-Versionen auskommt

Der traditionelle NI-DAQ-Treiber ist ein älterer Treiber, der nur noch ältere DAQ-Karten von National Instruments unterstützt. Der traditionelle NI-DAQ-Treiber sollte nur in Ausnahmefällen verwendet werden. Einzelheiten dazu finden Sie in der *NI-DAQ Readme*. Hier finden Sie auch eine Übersicht der unterstützten Geräte, Betriebssysteme, Anwendungsprogramme und Programmiersprachen.

## Schritt 1: Installation der Entwicklungsumgebung

---

Installieren Sie Ihre Entwicklungsumgebung von National Instruments. Für NI-DAQmx wird entweder LabVIEW 7.x, LabWindows/CVI 7.x, Measurement Studio 7.x, VI Logger 2.x oder das LabVIEW Real-Time Module ab Version 7.1 benötigt.

Von Applikationen, die mit einer früheren Version einer Entwicklungsumgebung von National Instruments oder des NI-DAQ-Treibers erstellt wurden, sollte eine Sicherheitskopie angelegt werden, so dass die Software und die damit erstellten Applikationen risikolos modifiziert werden können.

## Schritt 2: Installation von NI-DAQ 7.x

---

Installieren Sie den Treiber *vor* Anschluss der neuen Geräte, da die Geräte so automatisch erkannt werden. Installieren Sie NI-DAQ 7.x nicht, wenn in Ihren Applikationen Komponenten enthalten sind, die von diesem Treiber nicht unterstützt werden. Eine Liste aller unterstützten Komponenten finden Sie in der *NI-DAQ Readme*.

1. Einlegen der CD Der NI-DAQ-7.x-Installationsassistent sollte sich automatisch öffnen. Falls nicht, wählen Sie **Start»Ausführen** und geben Sie `x:\setup.exe` ein (`x` steht für den Buchstaben des CD-Laufwerks). Bei Problemen besuchen Sie bitte unsere Website [ni.com/support/install](http://ni.com/support/install) und gehen Sie nach den Anweisungen im "Hardware Installation/Configuration Troubleshooter" vor.
2. Installation der Software
  - Mit **Installieren** wird die Software und die gewünschte Dokumentation auf Ihr System installiert. Dazu sind lediglich im Installer die gewünschten Einstellungen erforderlich.
  - Mit **Anzeigen** gelangen Sie zur Dokumentation der Hardware, wo Sie nach Themen suchen können und diese ohne vorherige Installation öffnen und ausdrucken können.



**Vorsicht!** Es darf immer nur jeweils eine Version von NI-DAQ 7.x auf dem System installiert sein. Bei der Installation von NI-DAQ 7.x wird die vorherige Version von NI-DAQ (der traditionelle NI-DAQ-Treiber und NI-DAQ 6.x) einschließlich aller dazugehörigen Dateien überschrieben.

3. Installation der Hilfsdateien Der NI-DAQ-Installationsassistent erkennt automatisch die auf dem Computer vorhandene National-Instruments-Software und wählt von der CD automatisch die neueste Version des Treibers, der Entwicklungsumgebung oder der Hilfsdateien für Programmiersprachen aus. Überprüfen Sie, ob die automatische Auswahl korrekt ist.

NI-DAQ muss immer nach der Entwicklungsumgebung von National Instruments der Version 7.x installiert werden. Wenn Sie NI-DAQ als erstes installiert haben, starten Sie den Installer für den Treiber noch einmal, damit die fehlenden Hilfsdateien hinzugefügt werden.

4. Klicken Sie auf **Weiter**, bis Sie beim letzten Dialogfeld des Installers angelangt sind.
5. Klicken Sie auf **Beenden**.
6. Am Ende des Installationsvorgangs werden Sie gefragt, ob Sie das Programm beenden oder den Computer herunterfahren oder neu starten möchten.
  - Wenn Sie noch andere Software von National Instruments installieren möchten, wählen Sie **Beenden**.
    - Installieren Sie die Direkthilfen zur Hardware, die mit dem Treiber unterstützt wird, und die PDF- und Hilfsdateien, in denen die Anschlüsse, Leistungsmerkmale und die Betriebsweise der Geräte erläutert werden und die Grunddaten zu den Geräten enthalten sind. Legen Sie die NI-DAQ-CD nochmals ein, so dass sich das Installer-Fenster öffnet. Wählen Sie **Install Device Documentation**.
    - Wenn Ihr PC über eine MXI-3-Schnittstelle mit einem PXI-Chassis verbunden ist, verlassen Sie das Programm und installieren Sie die MXI-3-Software, die bei Bedarf von auch der Website [ni.com/downloads](http://ni.com/downloads) heruntergeladen werden kann.
  - **Herunterfahren** sollte ausgewählt werden, wenn alles zum Anschließen der Hardware bereit ist.
  - **Neustart** ist erforderlich, wenn Sie mit dem LabVIEW Real-Time Module arbeiten. Laden Sie mit Hilfe des Measurement & Automation Explorers (MAX) NI-DAQ 7.x auf das Netzwerksystem herunter. Hilfestellung erhalten Sie dazu in der *Measurement & Automation Explorer-Hilfe zu Systemen im Netzwerk*, die sich **Hilfe»Hilfethemen»Netzwerkumgebung** befindet.

## Schritt 3: Auspacken der Geräte, Zusatzbauteile und Kabel

---

Packen Sie die Karte aus und überprüfen Sie, ob sich eventuell Teile davon gelöst haben, oder ob sie anderweitig beschädigt ist. Sollte die Karte schadhafte erscheinen, setzen Sie sich bitte mit uns in Verbindung. Bauen Sie *auf keinen Fall* ein schadhafte Modul ein!

Sicherheitshinweise und Informationen zur Einhaltung von Sicherheitsstandards finden Sie auf [ni.com/manuals](http://ni.com/manuals) und in der Dokumentation, die nach Abschluss der Installation über **Start»Programme»National Instruments»NI-DAQ»Browse Device Documentation** geöffnet werden kann.

Auf Ihrer Hardware können folgende Symbole aufgedruckt sein:



Mit diesem Symbol wird vor Datenverlust, Systemabsturz oder körperlichen Verletzungen gewarnt. Welche Vorsichtsmaßnahmen bei Produkten zu treffen sind, die mit diesem Symbol gekennzeichnet sind, wird im Faltblatt *Read Me First: Safety and Radio-Frequency Interference* in der Packungsbeilage erläutert.



Wenn ein Produkt mit diesem Symbol gekennzeichnet ist, besteht die Gefahr eines elektrischen Schlags.



Bei Produkten mit diesem Symbol kann eines der Bauteile heiß werden. Bei Berührung besteht die Gefahr von Verletzungen.

## Schritt 4: Anschließen der einzelnen Komponenten

---

Bauen Sie alle vorhandenen DAQ-Karten ein. Wenn Sie an Ihre DAQ-Karte ein SCXI-Modul anschließen möchten, installieren Sie zunächst die DAQ-Komponenten.



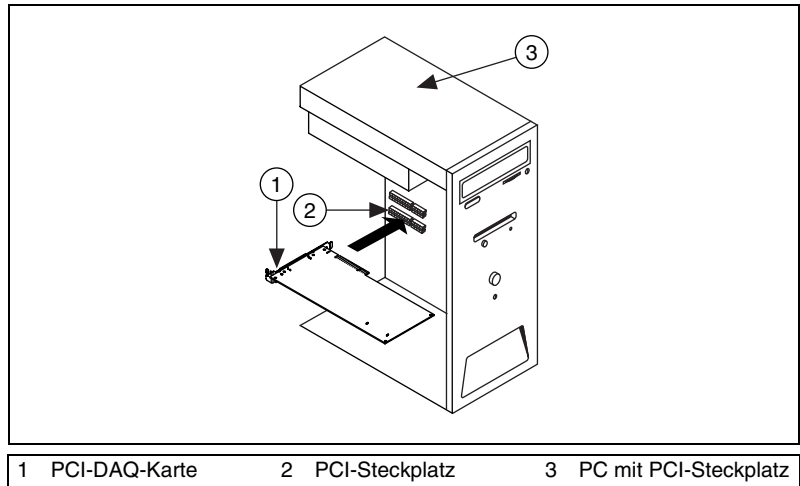
**Vorsicht!** Vor der Installation der Hardware ist unbedingt eine Erdung gemäß VDE erforderlich. Alle weiteren wichtigen Informationen zu Sicherheitsbestimmungen und den Sicherheitsstandards, die Ihre Karte erfüllt, finden Sie auf dem mitgelieferten Datenblatt.

Mit der Simulationsfunktion in NI-DAQmx können Sie NI-DAQmx-Applikationen auch ohne angeschlossene Hardware testen. Wie ein Gerät simuliert wird, erfahren Sie in der *Hilfe zum Measurement & Automation Explorer für NI-DAQmx*, die im MAX über **Hilfe»Hilfethemen»NI-DAQmx** geöffnet wird.

## PCI-Karten

Gehen Sie zum Einbau einer PCI-Karte folgendermaßen vor:

1. Schalten Sie den Computer aus und ziehen Sie den Netzstecker.
2. Entfernen Sie das Computergehäuse und die Abdeckung für den Erweiterungssteckplatz.
3. Berühren Sie ein beliebiges Metallteil des Computers.
4. Führen Sie die Karte in den PCI-Steckplatz ein und drücken Sie sie vollständig hinein. Wenden Sie dabei *keine* Gewalt an!



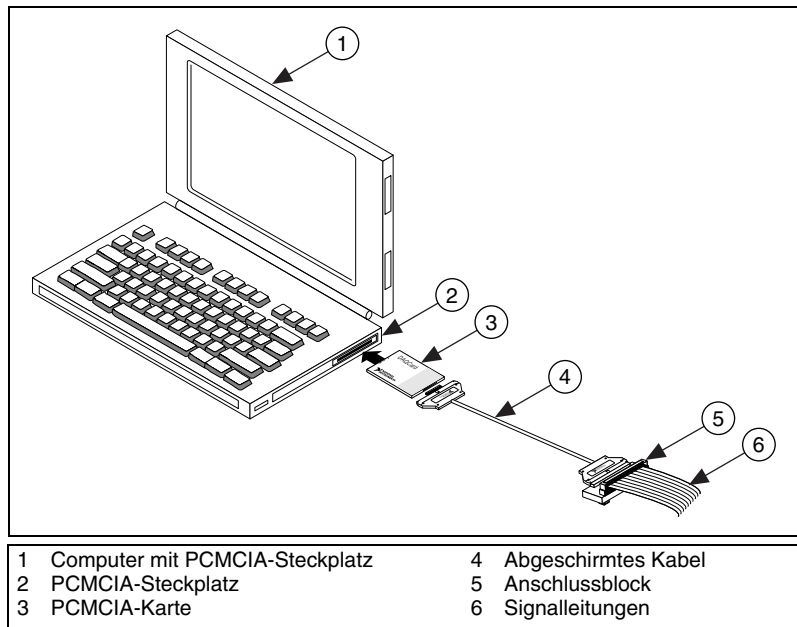
**Abbildung 1.** Einbau einer PCI-Karte

5. Schrauben Sie die Metallschiene der Karte an der Rückwand des Computers fest.
6. Montieren Sie das Computergehäuse.

## PCMCIA-Karten

PCMCIA-Karten von National Instruments passen in alle PC-Kartensteckplätze des Typs II. Gehen Sie dazu folgendermaßen vor:

1. Entfernen Sie die Abdeckung des PCMCIA-Steckplatzes (sofern vorhanden).
2. Führen Sie den Busanschluss des Gerätes in den Steckplatz ein, bis dieser fest sitzt.



**Abbildung 2.** Einbau einer PCMCIA-Karte in Laptops

3. Schließen Sie das Kabel an. Gehen Sie dabei vorsichtig vor. Beim Einstecken und Herausziehen sollte immer der Stecker angefasst werden. Ziehen Sie *auf keinen Fall* direkt am Kabel!

## PXI-Module

PXI-Module werden folgendermaßen eingebaut:

1. Schalten Sie das PXI-Gehäuse aus und ziehen Sie den Netzstecker.

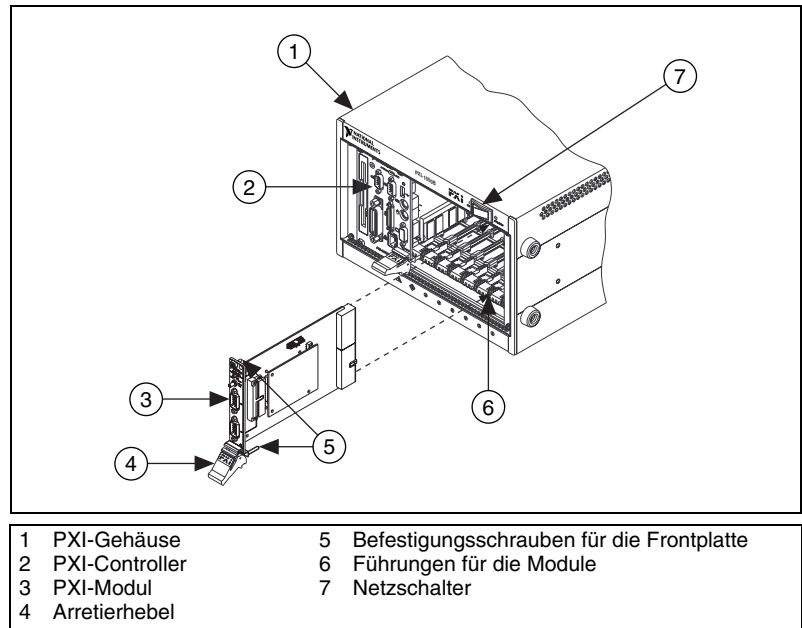


**Vorsicht!** Lesen Sie bitte vor dem Entfernen von Abdeckungen oder Kabeln das Falblatt *Read Me First: Safety and Radio-Frequency Interference* in der Packungsbeilage des PXI-Gehäuses oder -Moduls.

2. Entfernen Sie die Blende eines freien PXI-Steckplatzes. Manche Karten können nur in einen bestimmten Steckplatz montiert werden. Lesen Sie dazu bitte in der Dokumentation nach, auf die nach der Beschreibung in [Schritt 2: Installation von NI-DAQ 7.x](#) zugegriffen wird.
3. Berühren Sie zur elektrostatischen Entladung ein beliebiges Metallteil des Gehäuses.
4. Vergewissern Sie sich, dass der Arretierhebel des PXI-Moduls nicht eingerastet ist.
5. Schieben Sie das Modul in das Gehäuse ein.



6. Drücken Sie das Modul so weit in das Gehäuse, bis es die Steckerleiste berührt.
7. Wenn Sie einen Widerstand fühlen, ziehen Sie den Arretierhebel hoch und drücken Sie die Karte vollständig in den Steckplatz.
8. Schrauben Sie die Frontplatte am Gehäuse fest.



**Abbildung 3.** Einbau eines PXI-Moduls

## Geräte mit USB/IEEE-1394-Schnittstelle

National-Instruments-Geräte mit USB- oder IEEE-1394-Anschluss werden wie folgt angeschlossen:

1. Schließen Sie die Kabel für die Stromversorgung an.
  - Wenn Sie mit einem BP-1-Akkupack arbeiten, schließen Sie diesen der Beschreibung nach an.
  - Einige National-Instruments-Geräte mit USB- oder IEEE-1394-Anschluss benötigen eine externe Stromzufuhr.
    - Überprüfen Sie bei Geräten mit einem Netzteil zunächst, ob die Netzspannung (120 oder 230 V~) und die für das Gerät benötigte Spannung mit den Angaben auf dem Netzteil übereinstimmen. Schließen Sie dann das Netzteil an.
    - Wenn ein Netzkabel vorhanden ist, schließen Sie das Gerät damit an die Steckdose an.

2. Verbinden Sie das Gerät über ein USB-Kabel entweder mit dem USB- bzw. IEEE-1394-Anschluss des Rechners, einem Hub oder einem anderen Gerät.
3. Betätigen Sie nun den Netzschalter (sofern vorhanden). Das Gerät sollte automatisch vom Computer erkannt werden.

## Zubehör

Der Anschluss von Zubehörteilen und Anschlussblöcken wird in der dazugehörigen Anleitung beschrieben. Für SCXI- und SCC-Systeme folgen Sie bitte den Anweisungen bis [Schritt 8. Installation von Signalkonditionierungs- und Schaltmodulen](#).

## Schritt 5: Einschalten des Computers bzw. PXI-Chassis

---

Nach einem Neustart des Computers wird neu angeschlossene Hardware in Windows automatisch erkannt. In manchen Windows-Versionen öffnet sich in diesem Fall das Dialogfeld "Neue Hardware gefunden". Die Voreinstellung lautet: **Software automatisch installieren (empfohlen)**. Klicken Sie auf **Weiter** bzw. **Ja**, um für jedes Gerät einen Treiber zu installieren.

Wenn ein Gerät mit USB- oder IEEE-1394-Anschluss erkannt wurde, wird dies durch eine aufleuchtende oder blinkende LED am Gerät signalisiert. Die einzelnen Betriebszustände, die mit der Leuchtdiode signalisiert werden, sind in der Beschreibung zum Gerät erklärt.

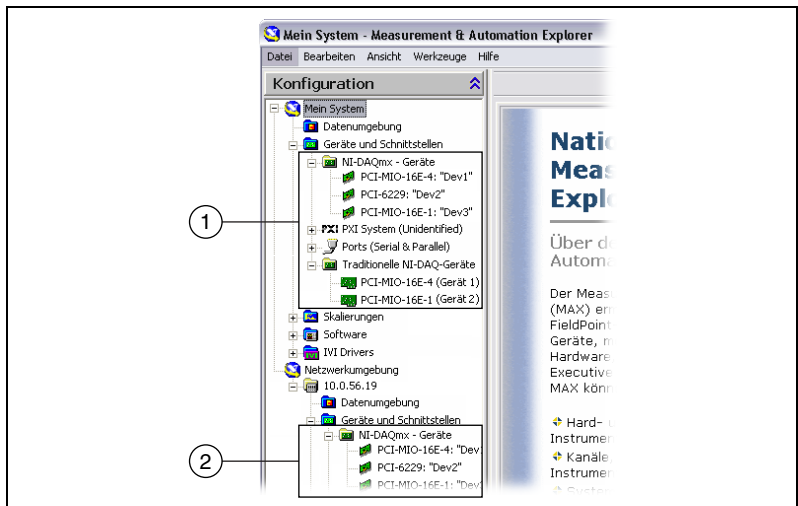
## Schritt 6: Überprüfung der automatischen Erkennung von Geräten

---



Gehen Sie dazu folgendermaßen vor:

1. Klicken Sie das Symbol **Measurement & Automation** auf dem Desktop doppelt an, um den MAX zu öffnen.
2. Erweitern Sie die Kategorie **Geräte und Schnittstellen** und anschließend die Unterkategorie **NI-DAQmx-Geräte**. Bei Systemen im Netzwerk, die mit LabVIEW Real-Time arbeiten, klicken Sie zunächst die Kategorie **Netzwerkumgebung**, dann das System und anschließend die Kategorie **Geräte und Schnittstellen** doppelt an. Die Konfiguration des traditionellen NI-DAQ-Treibers ist in der *Readme zum traditionellen NI-DAQ-Treiber* beschrieben, die nach Installation des Treibers über **Start»Programme»National Instruments»NI-DAQ** geöffnet werden kann.



- 1 Falls ein Gerät sowohl mit NI-DAQmx als auch dem alten traditionellen NI-DAQ-Treiber arbeitet, und beide Treiber installiert sind, wird das Gerät unter **Mein System»Geräte und Schnittstellen** mit unterschiedlichen Namen in beiden Kategorien aufgeführt.
- 2 Beachten Sie bitte, dass unter **Netzwerkumgebung»Geräte und Schnittstellen** nur die NI-DAQmx-Geräte angezeigt werden.

3. Überprüfen Sie, ob das Gerät unter “Geräte und Schnittstellen” angezeigt wird. Sollte eine Komponente nicht automatisch angezeigt werden, muss die Anzeige unter Umständen mit der <F5>-Taste aktualisiert werden. Wenn das Gerät dann immer noch nicht erscheint, besuchen Sie die Website [ni.com/support/install](http://ni.com/support/install).
4. Klicken Sie mit der rechten Maustaste auf das Gerät und wählen Sie **Selbsttest**.



Bei Schwierigkeiten mit dem Selbsttest des Geräts lesen Sie die *MAX-Hilfe für NI-DAQmx*, die sich unter **Hilfe»Hilfethemen»NI-DAQmx** befindet. Nach Abschluss des Selbsttests erscheint eine Meldung darüber, ob ein Fehler festgestellt wurde. Für Unterstützung bei der Fehlerdiagnose besuchen Sie bitte unsere Website [ni.com/support/install](http://ni.com/support/install).

Mit der Simulationsfunktion in NI-DAQmx können Sie NI-DAQmx-Applikationen auch ohne angeschlossene Hardware testen. Lesen Sie dazu auch die *Hilfe zum Measurement & Automation Explorer für NI-DAQmx*, die im MAX über **Hilfe»Hilfethemen» NI-DAQmx** geöffnet wird.

## Schritt 7: Konfiguration der Geräteeinstellungen

---

Konfigurieren Sie alle angeschlossenen Geräte wie nachfolgend beschrieben:

1. Klicken Sie mit der rechten Maustaste auf den Namen des Geräts und wählen Sie **Eigenschaften**. Vergewissern Sie sich, dass Sie das Gerät unter der richtigen Kategorie (“Mein System” oder “Netzwerkumgebung”) und der richtigen NI-DAQ-API ausgewählt haben.
2. Nehmen Sie die gewünschten Einstellungen vor. Bei Komponenten, die sowohl mit NI-DAQmx als auch mit dem traditionellen NI-DAQ-Treiber arbeiten sollen, müssen beide Treiber konfiguriert werden.
  - Zusätzliche Bauteile können unter **Zubehör** angegeben werden.
  - Dem Standard IEEE 1451.4 entsprechende Sensoren, deren Grunddaten in einem speziellen integrierten Speicher enthalten sind (Transducer Electronic Data Sheet, elektronisches Datenblatt zum Sensor) – sogenannten TEDS-Sensoren – sind zunächst zu konfigurieren, bevor entsprechende Zubehörteile hinzugefügt werden können. Wählen Sie **Nach TEDS suchen**. Zur Konfiguration von TEDS-Sensoren, die direkt an ein Gerät angeschlossen sind, klicken Sie das entsprechende Gerät im MAX unter “Geräte und Schnittstellen” mit der rechten Maustaste an und wählen Sie **TEDS konfigurieren**.
3. Klicken Sie zum Speichern der Änderungen auf **OK**.

## Schritt 8. Installation von Signalkonditionierungs- und Schaltmodulen

---

Wenn Ihr Mess-System SCXI-Signalkonditionierungsmodule, Signalkonditionierungskomponenten (wie SCC-Modulträger oder SCC-Module), Anschlussblöcke oder Schaltmodule enthält, lesen Sie zur Installation und Konfiguration den Getting Started Guide zum verwendeten Produkt.

Die nachfolgenden Anweisungen gelten nur für DAQ-Karten und PXI-Karten mit integrierter Signalkonditionierung.

# Schritt 9: Anschließen der Sensoren und Signalleitungen

---

Schließen Sie die Sensoren bzw. Signalquellen an den Anschlussblock oder andere Zubehörteile an.

Im DAQ-Assistenten ist zu den NI-DAQmx-Tasks und virtuellen Kanälen auf Ihrem System ein Anschlussplan enthalten, der auch ausgedruckt werden kann. Wählen Sie dazu den Task oder virtuellen Kanal aus und klicken auf die Registerkarte **Anschlussplan**. Um zu sehen, wie der Sensor im Einzelnen mit dem Anschlussblock zu verbinden ist, klicken Sie die einzelnen virtuellen Kanäle im Task an.

Pinbelegungen sind ebenfalls in der Dokumentation enthalten, die mit dem Device Document Browser aufgerufen werden kann. Klicken Sie dazu nach Installation des Device Document Browsers auf **Start»Programme»National Instruments»NI-DAQ»Browse Device Documentation** und wählen Sie in der *Hilfe zum Measurement & Automation Explorer für NI-DAQmx* den Abschnitt *Device Terminals* aus.

Informationen zu Sensoren besuchen Sie die Website [ni.com/sensors](http://ni.com/sensors) oder lesen Sie den Abschnitt *Sensors* der *NI-DAQmx Help* (**Start»Programme»National Instruments»NI-DAQ»NI-DAQmx Help**). TEDS-Sensoren (intelligenten Sensoren, die dem Standard IEEE 1451.4 entsprechen) sind auf [ni.com/zone](http://ni.com/zone) beschrieben.

In den Beschreibungen der Schaltmodule finden Sie auch Angaben zur Gerätearchitektur.

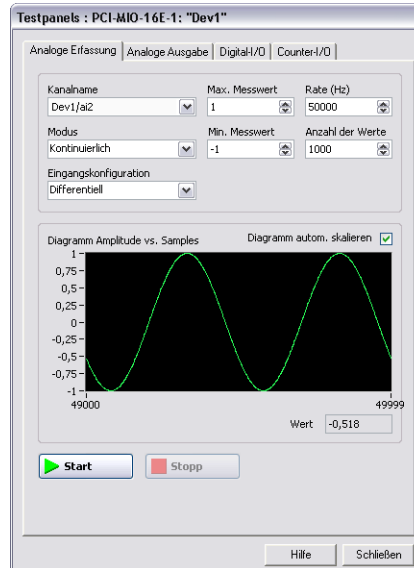
# Schritt 10: Starten der Test-Panels

---

Bei vielen Geräten sind Testläufe zur Überprüfung bestimmter Funktionen möglich, wie beispielsweise der Ein- und Ausgabe von Signalen. Ein Testpanel wird folgendermaßen gestartet:

1. Erweitern Sie im MAX die Kategorie **Geräte und Schnittstellen»NI-DAQmx-Geräte**. Bei RT-Systemen im Netzwerk klicken Sie zunächst die Kategorie **Netzwerkumgebung**, dann das System und anschließend die Kategorie **Geräte und Schnittstellen** doppelt an.
2. Klicken Sie mit der rechten Maustaste auf den Namen der Komponente.

3. Wählen Sie anschließend die Option **Test-Panel** aus, um das ausgewählte Gerät zu überprüfen (vgl. das folgende Beispiel).



4. Klicken Sie zur Überprüfung der einzelnen Funktionen des Geräts auf die verschiedenen Registerkarten. Hilfestellung bei der Handhabung der Test-Panels erhalten Sie im Menü unter **Hilfe**.
5. Wenn ein Fehler vorliegt, wird im Testpanel eine entsprechende Meldung ausgegeben. Für Hilfe in diesem Fall stehen Ihnen die *NI-DAQmx Reference Help* und die Website [ni.com/support](http://ni.com/support) zur Verfügung.
6. Klicken Sie zum Verlassen des Testpanels auf **Schließen**.

Wenn Sie in Ihren Rechner mehrere DAQ-Karten eingebaut haben, müssen Sie [Schritt 7: Konfiguration der Geräteeinstellungen](#) bis [Schritt 10: Starten der Test-Panels](#) für jede Karte wiederholen.

## Schritt 11: Konfiguration der Kanäle und Tasks

Dieser Schritt ist nur dann erforderlich, wenn Sie Ihre Karte mit NI-DAQmx oder einer Entwicklungsumgebung von National Instruments programmieren.

Ein *Task* – ein wichtiger neuer Bestandteil von NI-DAQmx – ist ein Messprojekt, für virtuelle Kanäle sowie Takt-, Trigger- und andere Einstellungen festgelegt werden. In einem Task sind also alle Parameter einer Messung oder Signalerzeugung zusammengefasst. Die Einstellungen eines

Tasks sind veränderbar und lassen sich speichern, so dass dieser auch in anderen Applikationen verwendet werden kann.

In NI-DAQmx können virtuelle Kanäle als Teil eines Tasks oder separat konfiguriert werden. Virtuelle Kanäle, die innerhalb eines Tasks erstellt wurden, werden als *lokale virtuelle Kanäle* bezeichnet, und solche, die separat erstellt wurden, als *globale virtuelle Kanäle*. Globale virtuelle Kanäle sind an keine Anwendung gebunden sind und können damit beliebig weiterverwendet werden. Die Erstellung eines globalen Kanals ist entweder im MAX oder in einer Entwicklungsumgebung von National Instruments möglich. Änderungen an einem globalen Kanal werden automatisch auf alle Tasks übernommen, in denen der Kanal verwendet wird.

## Konfiguration eines Tasks in NI-DAQmx

Tasks für NI-DAQmx werden mit Hilfe des DAQ-Assistenten konfiguriert. Zum Erstellen von Tasks und Kanälen mit dem DAQ-Assistenten muss eine Entwicklungsumgebung von National Instruments ab Version 7.0 installiert sein.

- Klicken Sie im MAX mit der rechten Maustaste auf **Datenumgebung** und wählen Sie **Neu**. Wählen Sie **NI-DAQmx-Task** und klicken Sie auf **Weiter**. Bei RT-Systemen erweitern Sie zunächst die Kategorie **Netzwerkumgebung**, klicken dann das System doppelt an, um zur Kategorie **Datenumgebung** zu gelangen.
- Der DAQ-Assistent lässt sich auch von der Entwicklungsumgebung aus öffnen.
  - Fügen Sie dazu in LabVIEW entsprechend der Beschreibung unter *Erste Schritte mit LabVIEW* das Express-VI “DAQ-Assistent” in das Blockdiagramm ein, das sich auf der Express-Palette “Eingabe” befindet.


Sie können den DAQ-Assistenten auch öffnen, indem Sie aus der Palette “DAQmx-Namenselemente” ein Bedienelement des Typs “DAQmx-Taskname” in das Frontpanel einfügen, das Element mit der rechten Maustaste anklicken und **Neuer Task (DAQ-Assistent)** auswählen. Alle Schritte zum Erstellen eines Tasks einschließlich der Erstellung von Blockdiagrammcode ist in der Hilfedatei *Messungen mit NI-DAQmx in LabVIEW* beschrieben, die in LabVIEW über **Hilfe»Messungen mit NI-DAQmx in LabVIEW** geöffnet wird.
  - In LabWindows/CVI:
    1. Wählen Sie **Tools»Create/Edit DAQmx Tasks**. Es öffnet sich das Dialogfeld “Create/Edit DAQmx Tasks”.
    2. Wählen Sie **Create New Task In MAX** oder **Create New Task In Project** und klicken Sie auf **OK**.

- In Measurement Studio:
  1. Öffnen Sie Visual Studio .NET und das Projekt, in dem der DAQmx-Task erzeugt werden soll.
  2. Wählen Sie **Project»Add New Item**. Sie sehen das Dialogfeld “Add new item”.
  3. Klicken Sie unter “Categories” auf **Measurement Studio»Assistent**.
  4. Wählen Sie anschließend aus den Vorlagen **DAQmx Task Class** aus.
  5. Geben Sie für die Datei zum DAQmx-Task einen Namen an und klicken Sie auf **Open**.
  6. Geben Sie an, ob Sie einen neuen Task oder eine Kopie eines globalen Tasks erstellen möchten, der im MAX erzeugt wurde, und klicken Sie auf **Beenden**.

Der DAQ-Assistent fordert Sie dann zur Erstellung eines neuen Tasks auf. Es ist anzugeben, ob der Task zur analogen oder digitalen Ein- oder Ausgabe dienen soll, ob ein Sensor verwendet wird und aus welchen physikalischen Kanälen lokale virtuelle Kanäle erzeugt werden sollen. Wie genau ein Task erstellt wird, kann in der *Hilfe zum DAQ-Assistenten* nachgelesen werden.

## Konfiguration globaler virtueller Kanäle in NI-DAQmx

Globale virtuelle Kanäle für NI-DAQmx werden mit Hilfe des DAQ-Assistenten konfiguriert. Zum Erstellen globaler virtueller Kanäle kann nur der Measurement and Automation Explorer verwendet werden, allerdings ist es auch möglich, einen globalen virtuellen Kanal von einer Entwicklungs-umgebung aus hinzuzufügen.

- Um den DAQ-Assistenten im MAX zu öffnen, klicken Sie mit der rechten Maustaste auf **Datenumgebung** und wählen **Neu**. Klicken Sie auf **NI-DAQmx - Globaler Kanal** und anschließend auf **Weiter**.
- Der DAQ-Assistent lässt sich auch direkt von einer NI-Entwicklungs-umgebung aus öffnen.
  - Klicken Sie dazu in LabVIEW mit der rechten Maustaste auf ein Bedienelement des Typs “DAQmx: Globaler Kanal” und wählen Sie **Neuer Kanal (DAQ-Assistent)**.
  - In LabWindows/CVI und Measurement Studio muss zunächst, wie zuvor beschrieben, ein Task erstellt werden. Klicken Sie dazu im DAQ-Assistenten auf die Schaltfläche “Hinzufügen” () und wählen Sie dann im Dialogfeld “Kanäle zu Tasks hinzufügen” aus der Registerkarte **Global** einen virtuellen Kanal aus.



Der DAQ-Assistent fordert Sie dann zur Erstellung eines neuen globalen virtuellen Kanals auf. Es ist anzugeben, ob der Kanal zur analogen oder digitalen Ein- oder Ausgabe dienen soll, ob ein Sensor verwendet wird und aus welchem physikalischen Kanal ein globaler virtueller Kanal erzeugt werden soll. Wie genau ein Task erstellt wird, kann in der *Hilfe zum DAQ-Assistenten* nachgelesen werden.

## Schritt 12: Verwenden des Geräts in einer Applikation

---

### DAQ-Assistent

Über die folgenden Schritte binden Sie einen Mess-Task in Ihre Applikation ein oder erzeugen aus dem Task ein Programm. Nähere Einzelheiten dazu finden Sie in der *DAQ Assistant Help*.

### LabVIEW

1. Öffnen Sie in LabVIEW ein leeres VI.
2. Legen Sie die folgende Konstante auf dem Blockdiagramm ab:  
**NI-Messtechnik»DAQmx - Datenerfassung»DAQmx - Taskname (Konstante)**.
3. Wählen Sie aus dem Pulldown-Menü einen Task aus.
4. Klicken Sie das VI mit der rechten Maustaste an und wählen Sie **Programmcode erzeugen»Beispiel**.
5. Wechseln Sie zum Frontpanel und starten Sie das VI.

### LabWindows/CVI

Eine detaillierte Anleitung zur Verwendung von Tasks in LabWindows/CVI erhalten auf [ni.com/info](http://ni.com/info) nach Eingabe von rddq73.

### Measurement Studio

Für eine detaillierte Anleitung zur Verwendung von Tasks in Measurement Studio geben Sie auf der Website [ni.com/info](http://ni.com/info) die Zeichenkombination rddqms ein.

## Beispiele

So kann auf Grundlage eines Beispiels eine neue Applikationen erstellt oder eine bestehende Applikation erweitert werden.

Anwendung	Speicherort (Beispiel)
LabVIEW oder LabWindows/CVI	<b>Hilfe»Beispiele suchen</b>
Programmiersprachen, die von Measurement Studio unterstützt werden  MFC C++  Visual Basic .NET und C#-Beispiele*	MeasurementStudioVS2003\VCNET\ Examples\DAQmx  MeasurementStudioVS2003\DotNET\ Examples\DAQmx
ANSI C	NI-DAQ\Examples\DAQmx ANSI C
* Measurement Studio nicht erforderlich	

Zusätzliche Beispiele sind unter [ni.com/zone](http://ni.com/zone) zu finden.

Mit der NI-DAQmx-Simulationsfunktion lassen sich Beispiele auch ausführen, ohne dass die benötigten Geräte angeschlossen sind. Wie ein Gerät simuliert wird, ist in der *Hilfe zum Measurement & Automation Explorer für NI-DAQmx* nachzulesen, die im MAX über **Hilfe»Hilfethemen»NI-DAQmx** geöffnet wird.

## VI Logger Lite

Auf der NI-DAQmx-CD befindet sich auch VI Logger Lite, ein einfach zu nutzendes Werkzeug, das speziell für Applikationen zur Datenprotokollierung vorgesehen ist. Zum Öffnen des Programms wählen Sie **Start»Programme»National Instruments»VI Logger**. Die *VI Logger Help* befindet sich im MAX unter **Hilfe»Hilfethemen»VI Logger**.

## Weitere Informationen

---

Nach Installation der Dokumentation lässt sich diese über **Start»Programme»National Instruments»NI-DAQ»Browse Device Documentation** aufrufen. Die Beschreibungen zu NI-DAQ, wie die *NI-DAQmx Help* oder die vorliegende Anleitung *Erste Schritte mit NI-DAQ* (als PDF-Datei), können über **Start»Programme»National Instruments»NI-DAQ»NI-DAQmx Titel des Dokuments** geöffnet werden.

# Fehlersuche

---

Nachfolgend einige Informationsquellen, die Ihnen bei Problemen mit der Installation Ihrer Hard- oder Software zur Datenerfassung von Nutzen sein können:

- Bei Problemen besuchen Sie bitte unsere Website [ni.com/support/install](http://ni.com/support/install) und gehen Sie nach den Anweisungen im “Hardware Installation/Configuration Troubleshooter” vor.
- Auf [ni.com/kb](http://ni.com/kb) finden Sie häufig gestellte Fragen und Hilfe bei Problemen bei der Installation oder Programmierung.
- Falls Sie ein Gerät aufgrund einer Beschädigung zur Reparatur oder Kalibrierung an National Instruments zurücksenden müssen, besuchen Sie bitte unsere Website [ni.com/support](http://ni.com/support) und geben die Buchstabenkombination `rdsenn` ein. Hier erfahren Sie, was bei der Warenrücksendung an National Instruments zu beachten ist.

## Weltweite technische Unterstützung

---

Weitere Unterstützung finden Sie unter [ni.com/support](http://ni.com/support) oder [ni.com/zone](http://ni.com/zone). Weitere Informationen zu Signalkonditionierungsgeräten finden Sie im Dokument *Signal Conditioning Technical Support Information* in der Packungsbeilage des Geräts.

Bei Anfragen wenden Sie sich bitte an eine Niederlassung von National Instruments in Ihrer Nähe. Die Adresse der Hauptgeschäftsstelle von National Instruments in den USA lautet: 11500 North Mopac Expressway, Austin, Texas, 78759-3504.

National Instruments, NI, ni.com und LabVIEW sind Marken der Firma National Instruments Corporation. Nähere Informationen zu den Marken von National Instruments finden Sie im Abschnitt *Terms of Use* unter [ni.com/legal](http://ni.com/legal). Sonstige hierin erwähnte Produkt- und Firmenbezeichnungen sind Marken oder Handelsnamen der jeweiligen Unternehmen. Nähere Informationen über Patente auf Produkte von National Instruments finden Sie unter **Hilfe»Patente** in Ihrer Software, in der Datei `patents.txt` auf Ihrer CD oder unter [ni.com/patents](http://ni.com/patents).

# DAQ スタートアップガイド

この文書では、NI-DAQmx 7.x ドライバソフトウェアおよびデータ集録 (DAQ) デバイスのインストール、構成方法、およびデバイスが適切に動作しているかどうかを確認する方法について説明します。従来型 NI-DAQ (レガシー) の構成方法については、『従来型 NI-DAQ (レガシー) Readme』を参照してください。この Readme は、ソフトウェアのインストール後に **スタート→プログラム→National Instruments → NI-DAQ** を選択して表示できます。

## NI-DAQ 7.x ソフトウェア

ナショナルインスツルメンツの計測デバイスには、NI-DAQ ドライバソフトウェアが添付されています。これは、LabVIEW や LabWindows™/CVI™ などのアプリケーションソフトウェアから呼び出すことができる VI と ANSI C 関数を多数含むライブラリで、NI 計測器 (M シリーズマルチファンクション I/O (MIO) DAQ デバイス、信号調節モジュール、スイッチモジュールなど) のプログラムに使用できます。また、ドライバソフトウェアには、デバイスのアプリケーションを作成するための、VI、関数、クラス、属性、およびプロパティのライブラリであるアプリケーションプログラミングインタフェース (API) が含まれています。

NI-DAQ 7.x には、NI-DAQ ドライバが 2 つ含まれており、それぞれのドライバには独自の API、ハードウェア構成、およびソフトウェア構成があります。NI-DAQmx は最新の NI-DAQ ドライバで、従来型 NI-DAQ (レガシー) に比べ、以下の優位点があります。

- DAQ アシスタント: LabVIEW、LabWindows/CVI、および Measurement Studio、VI Logger で使用できるように、デバイスの仮想チャンネルおよび計測タスクを構成し、この仮想チャンネルとタスクに基づいて NI-DAQmx コードを生成するグラフィカルツール。
- 高速化シングルポイントアナログ I/O やマルチスレッドなどによるパフォーマンスの向上。
- ハードウェアを接続することなく実行できる、サポート対象デバイスのテストやアプリケーション変更の NI-DAQmx シミュレーション。NI-DAQmx でサポートされていても NI-DAQmx でのシミュレーション機能を持たないデバイスもあります。それらのデバイスの一覧は『NI-DAQ Readme』に記載されています。

- シンプルで直感的な API による、旧バージョンより少ない関数と VI での DAQ アプリケーション作成。

従来型 NI-DAQ (レガシー) とは、旧型のナショナルインストルメンツ DQA デバイス用のデータ集録、計測、制御用のアプリケーションに使用される、古い API を持つ旧型ドライバです。特定の条件下では、従来型 NI-DAQ (レガシー) だけを使用しなければならない場合があります。従来型 NI-DAQ (レガシー) を使用しなければならない特定の条件 (サポートされるデバイス、オペレーティングシステム、アプリケーションソフトウェア、多言語バージョンの一覧など) については、『NI-DAQ README』を参照してください。

## 手順 1. アプリケーションソフトウェアをインストールする

---

NI アプリケーションソフトウェアをインストールします。NI-DAQmx を使用するには、LabVIEW7.x、LabWindows/CVI 7.x、Measurement Studio 7.x、VI Logger 2.x、LabVIEW Real-Time モジュール 7.1 以降のいずれかをインストールしてください。

旧バージョンのアプリケーション開発環境または NI-DAQ で作成されたアプリケーションが存在する場合は、そのアプリケーションのバックアップコピーを作成します。その後、ソフトウェアをアップグレードして、そのアプリケーションを修正することができます。

## 手順 2. NI-DAQ 7.x をインストールする

---

新規ハードウェアデバイスをインストールする前にドライバソフトウェアをインストールして、Windows がデバイスを検出できるようにしてください。既存のアプリケーションに、サポートされていないコンポーネント (『NI-DAQ README』の一覧を参照) が含まれている場合は、NI-DAQ 7.x をインストールしないでください。

1. CD を挿入します。NI-DAQ 7.x のインストーラが自動的に起動します。インストーラが起動しない場合は、**スタート→ファイル名を指定して実行**を選択してください。x:¥setup.exe と入力します。ここで、x は CD ドライブの文字を示します。トラブルシューティングの説明については、[ni.com/support/ja/troubleshooting](http://ni.com/support/ja/troubleshooting) のトラブルシューティングリソースを参照してください。
2. ソフトウェアをインストールします。
  - **~をインストール**をクリックすると、ソフトウェアおよび / または文書ファイルがハードディスクにコピーされます。NI-DAQ ソフトウェアのマニュアルは、ドライバソフトウェアと同時にインストールされます。

- **～を表示**をクリックすると、文書をインストールしないで開き、内容を検索、表示、印刷できます。



## 注意

NI-DAQ 7.x は、NI-DAQ の旧バージョンと同じシステムに共存させることができません。NI-DAQ 7.x をインストールすると、最新バージョンの従来型 NI-DAQ (レガシー) が旧バージョンの NI-DAQ (従来型 NI-DAQ および NI-DAQ 6.x) を上書きします。また、旧バージョンによりインストールされたサポートファイルも最新のものになります。

3. サポートファイルをインストールします。NI-DAQ 7.x インストーラはシステムにインストールされている NI ソフトウェアを検出し、最新のドライバ、アプリケーションソフトウェア、および言語サポートファイルを CD から自動的にインストールします。インストーラによって正しいサポートファイルとバージョンが検出され、選択されていることを確認してください。

NI アプリケーションソフトウェア 7.x をインストールする前に NI-DAQ をインストールする場合、NI-DAQ インストーラを再度実行して正しいアプリケーションソフトウェアサポートファイルをインストールする必要があります。

4. **次へ**をクリックします。
5. **終了**をクリックします。
6. NI-DAQ のインストールが完了すると、再起動、シャットダウン、終了のいずれかを選択できる画面が表示されます。
  - 他の NI ソフトウェアまたは文書をインストールするには、**終了**をインストールします。
    - サポートされているデバイスおよびアクセサリのオンライン文書 (デバイスの端子、仕様、機能、および操作を説明した PDF およびヘルプファイル等) をインストールできます。NI-DAQ の CD を再度挿入して、インストーラ画面を再び表示します。**デバイス文書をインストール**を選択します。
    - PC から PXI シャーシを制御するために MXI-3 を使用している場合は、DAQ デバイスを使用する前に終了し、[ni.com/jp/downloads](http://ni.com/jp/downloads) から入手できる MXI-3 ソフトウェアをインストールしてください。
  - デバイスをインストールする準備ができたなら、**シャットダウン**を選択します。
  - LabVIEW Real-Time モジュールを実行しているシステムを使用している場合は、**再起動**を選択します。Measurement & Automation Explorer (MAX) を使用して、ターゲットに NI-DAQ 7.x をダウンロードします。**ヘルプ→ヘルプトピック→リモートシステム**を選択し、『Measurement & Automation Explorer リモートシステムヘルプ』を参照してください。

## 手順 3. デバイス、アクセサリ、およびケーブルの梱包を解く

---

デバイスを箱から取り出し、部品がゆるんでいないかどうか、また、損傷箇所がないかどうか調べてください。デバイスが損傷している場合は、ナショナルインスツルメンツまでご連絡ください。損傷したデバイスはインストールしないでください。

安全およびコンプライアンスに関する情報は、各デバイスのマニュアルに記載されています。ni.com/support/ja/manuals にアクセスするか、製品をインストール済みの場合は**スタート→プログラム→National Instruments → NI-DAQ → Browse Device Documentation** を選択してください。

デバイスでは、たとえば次のような記号が使用されていることがあります。



このアイコンは、負傷、データの損失、システムの破壊を防止するための注意事項を示します。デバイスにこの記号が付いている場合には、デバイスに同梱されている『Read Me First: Safety and Radio-Frequency Interference』ドキュメントを参照してください。



製品にこの記号が付いている場合は、電気ショックを防止するための事前対策についての警告を示します。



製品にこの記号が付いている場合は、熱を帯びる可能性があるコンポーネントを表します。このコンポーネントに接触すると、負傷するおそれがあります。

## 手順 4. デバイス、アクセサリ、およびケーブルを取り付ける

---

複数の DAQ デバイスをインストールする場合は、この段階ですべてインストールします。DAQ デバイスに SCXI モジュールを接続する場合は、まず DAQ コンポーネントをインストールしてください。



### 注意

適切な静電破壊防止対策により身体が接地されていることを必ず確認してから、ハードウェアをインストールしてください。安全とコンプライアンスに関する情報については、デバイスの仕様書を参照してください。

NI-DAQmx シミュレーションデバイスを使用すると、ハードウェアをインストールせずに NI-DAQmx アプリケーションをテストすることができます。シミュレーションデバイスの作成方法については、**ヘルプ→ヘルプトピック→NI-DAQmx** を選択して、『NI-DAQmx 対応 Measurement & Automation Explorer ヘルプ』を参照してください。



## PCI デバイス

PCI デバイスをインストールするには、以下の手順に従ってください。

1. コンピュータの電源を切り、コードを抜いてください。
2. コンピュータおよび / または拡張スロットのカバーを外します。
3. 静電気を放電するため、コンピュータの金属部分に接触します。
4. PCI システムスロットにデバイスを挿入します。そっと揺り動かしながら、デバイスをスロットに差し込みます。デバイスをスロットへ無理に押し込まないでください。

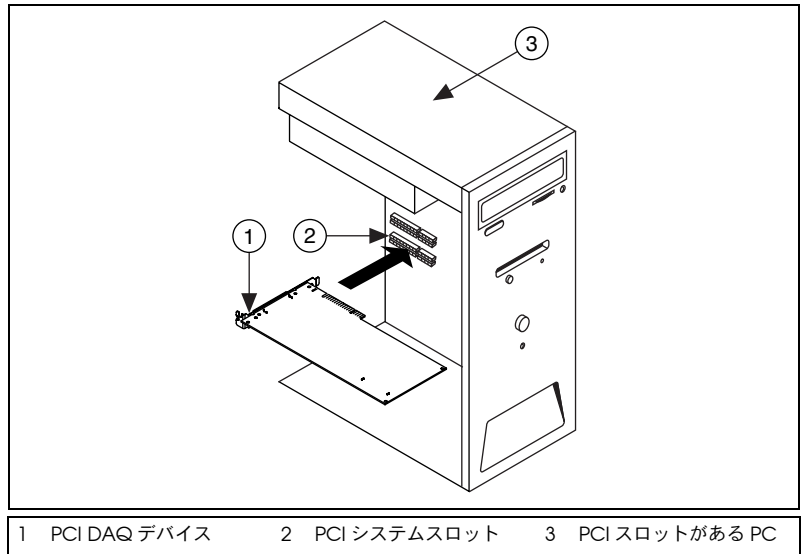


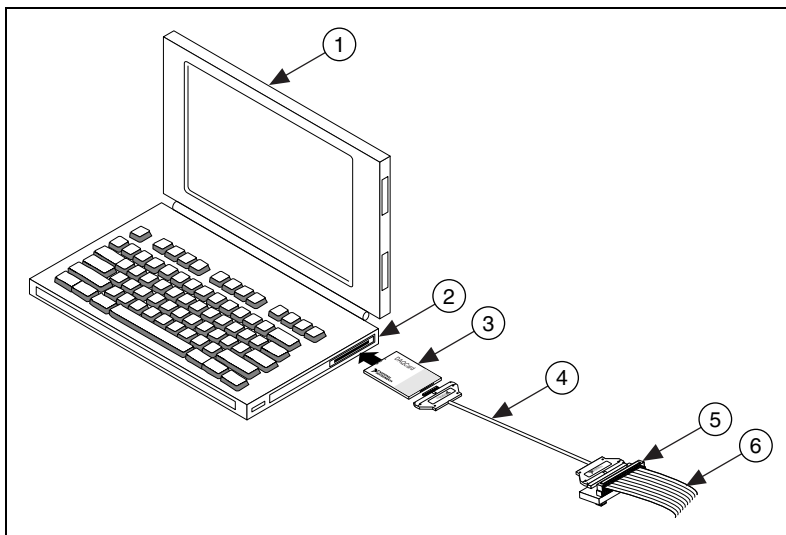
図 1 PCI デバイスをインストールする

5. デバイスの取り付け金具をコンピュータのバックパネルレールに取り付けます。
6. 該当する場合、コンピュータのカバーを元の位置に戻します。

## PCMCIA デバイス

NI PCMCIA デバイスは、Type II の PC カードの空きスロットにインストールできます。次の手順に従ってください。

1. コンピュータの PCMCIA スロットカバーを外します（該当する場合）。
2. コネクタがしっかりと接続されるまで、PCMCIA デバイスの PCMCIA バスコネクタをスロットに挿入します。



1	PCMCIA スロットがあるコンピュータ	4	シールドされた I/O ケーブル
2	PCMCIA ソケット	5	アクセサリ
3	PCMCIA デバイス	6	信号線

図 2 ラップトップコンピュータに PCMCIA デバイスをインストールする

3. I/O ケーブルを取り付けます。ケーブルコネクタの挿入や取り外しでは、I/O ケーブルに負担をかけないように注意してください。常に、挿入または取り外しを行うケーブルのコネクタ部分をしっかりとつかんでください。PCMCIA デバイスから I/O ケーブルを絶対に直接引き抜かないでください。

## PXI デバイス

PXI モジュールをインストールするには、以下の手順に従ってください。

1. PXI シャーシの電源を切り、コードを抜いてください。



### 注意

機材のカバーの取り外し、または信号配線を接続または接続解除する前に、PXI または SCXI シャーシまたはデバイスに添付されている『Read Me First: Safety and Radio-Frequency Interference』を参照してください。

2. 未使用の PXI スロットのカバーパネルを外します。スロットの要件については、「[手順 2. NI-DAQ 7.x をインストールする](#)」に記述されているデバイス文書を参照してください。
3. 静電気を放電するため、シャーシの金属部分に触れます。
4. PXI モジュールの脱着ハンドルが固定されないで自由に揺れ動く状態にします。
5. PXI モジュールの縁をシャーシの上下にあるモジュールガイドに配置します。

6. デバイスを PXI スロットに差し込みシャーシ背面向かってスライドさせます。
7. 抵抗を感じたら、脱着ハンドルを引き上げてデバイスを完全に挿入します。
8. シャーシのフロントパネル取り付けレールに、デバイスのフロントパネルをネジで取り付けます。

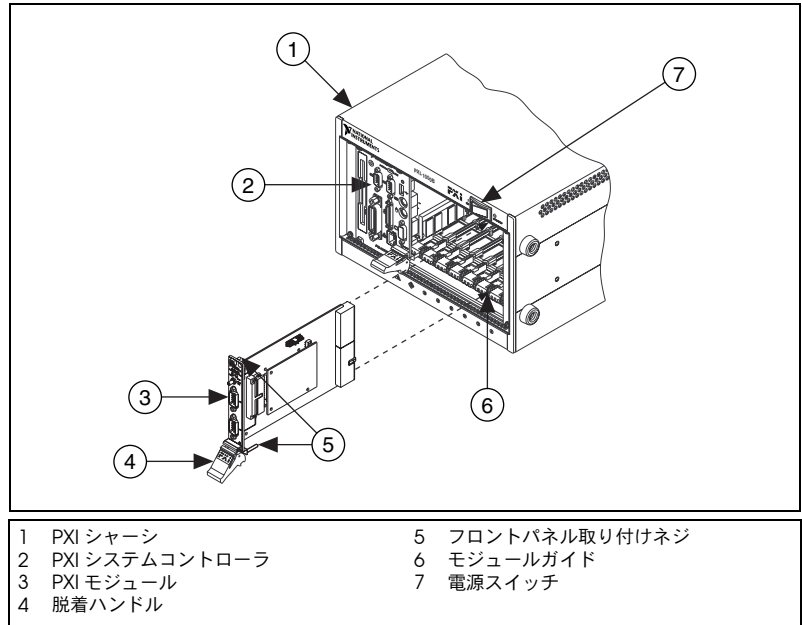


図 3 PXI デバイスをインストールする

## USB/IEEE 1394 デバイス

USB または IEEE 1394 対応の NI デバイスは、次の手順でインストールします。

1. 電源を接続します。
  - BP-1 バッテリーパックを使用している場合は、BP-1 のインストールガイドにある手順に従ってください。
  - USB または IEEE 1394 用の NI デバイスの中には外部電源が必要なデバイスもあります。
    - デバイスが外部電源を使用するタイプの場合、外部電源（ある場合）の電圧が、デバイスを使用する地域の電圧（120/230 VAC）とデバイスが必要とする電圧に合っているか確認してください。電源の片方をコンセントに接続し、もう片方をデバイスに取り付けます。
    - デバイ스에電源コードがある場合は、電源コードの片方をデバイスに接続し、もう片方をコンセントに接続します。

2. コンピュータの USB または IEEE 1394 ポート、その他のハブ、IEEE 1394 デバイス上の使用可能な USB または IEEE 1394 ポートにケーブルを接続します。
3. USB または IEEE 1394 デバイスに電源スイッチがある場合、デバイスの電源を入れます。コンピュータがデバイスを即座に検出します。

## アクセサリ

インストールガイドの手順に従って、アクセサリやターミナルブロックを取り付けます。SCXI および SCC 信号調節システムについては、この文書の「[手順 8. 信号調節またはスイッチデバイスをインストールする](#)」セクションまでの手順に従ってください。

## 手順 5. コンピュータまたは PXI シャーシに電源を入れる

Windows は、ハードウェアのインストール後に初めてコンピュータが再起動されたときに、新しくインストールされたデバイスを認識します。一部の Windows システムでは、インストールされたすべての NI デバイスに対して、新しいハードウェアの検索ウィザードが起動します。デフォルトでは、**デバイスに最適なドライバを検索する (推奨)** が選択されています。次へまたははいをクリックして、各デバイスのソフトウェアをインストールします。

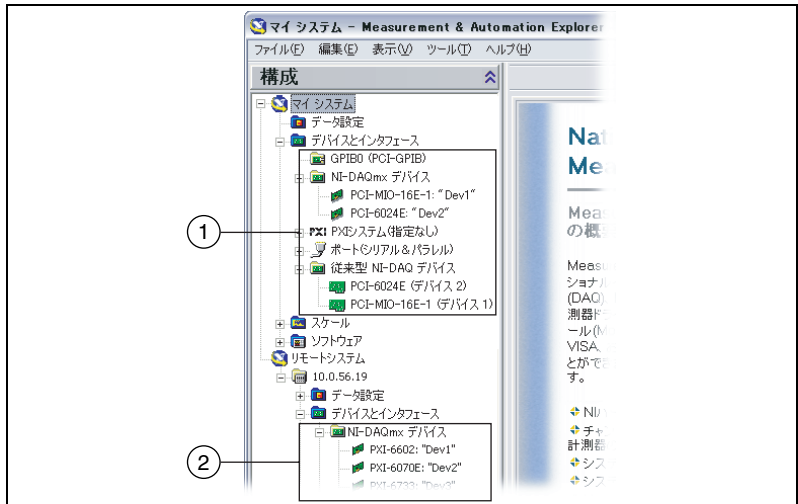
コンピュータが USB や IEEE 1394 デバイスを認識すると、デバイスにある電源の LED が点滅または点灯します。LED の点滅パターンおよびトラブルシューティングについては、各デバイスのマニュアルを参照してください。

## 手順 6. デバイスが認識されたことを確認する

次の手順に従ってください。



1. デスクトップにある **Measurement & Automation** アイコンをダブルクリックして、MAX を開きます。
2. **デバイスとインタフェース** → **NI-DAQmx デバイス** を展開します。リモート RT ターゲットを使用する場合、**リモートシステム** を展開し、ターゲットを展開し、**デバイスとインタフェース** を展開します。従来の NI-DAQ (レガシー) の構成方法については、『**従来型 NI-DAQ (レガシー) Readme**』を参照してください。この Readme は、ソフトウェアのインストール後に **スタート** → **プログラム** → **National Instruments** → **NI-DAQ** を選択して表示できます。



- 1 1つのデバイスがNI-DAQmxと従来型NI-DAQ（レガシー）の両方でサポートされている場合、その両方がインストールされている場合、**マイシステム→デバイスとインタフェース**の下に同じデバイスが異なる名前が表示されます。
- 2 **リモートシステム→デバイスとインタフェース**の下にはNI-DAQmxデバイスのみが表示されます。

3. デバイスとインタフェースの下に表示されるデバイスを確認します。デバイスが表示されない場合には、<F5> を押してMAXの表示を更新します。それでもデバイスが認識されないときは、[ni.com/support/ja/troubleshooting](http://ni.com/support/ja/troubleshooting) を参照してください。
4. デバイスを右クリックして、**セルフテスト**を選択します。



セルフテスト中にヘルプの参照が必要な場合、**ヘルプ→ヘルプトピック→NI-DAQmx** を選択して『NI-DAQmx 対応 MAX ヘルプ』を開きます。セルフテストが終了すると、テストが成功した確認またはエラーが発生したかどうかを示すメッセージが表示されます。エラーが発生した場合、トラブルシューティングに関する情報については、[ni.com/support/ja/troubleshooting](http://ni.com/support/ja/troubleshooting) を参照してください。

NI-DAQmx シミュレーションデバイスを使用すると、ハードウェアをインストールせずにNI-DAQmxアプリケーションをテストすることができます。シミュレートしたデバイスを作成し、シミュレートしたデバイスの構成を物理デバイスにインポートする手順については、

ヘルプ→ヘルプトピック→ **NI-DAQmx** を選択して、『NI-DAQmx 対応 Measurement & Automation Explorer ヘルプ』を参照してください。

## 手順 7. デバイスを設定する

---

インストールする各デバイスを構成します。

1. デバイス名を右クリックして**プロパティ**を選択します。システム（マイシステムまたはリモートシステム）の下位にあるデバイス名と、デバイスの制御に使用する NI-DAQ API をクリックします。
2. デバイスプロパティを構成します。NI-DAQmx と従来型 NI-DAQ（レガシー）の両方でデバイスを使用するには、それぞれの API でデバイスを設定する必要があります。
  - アクセサリを使用している場合、アクセサリについての情報を追加します。
  - IEEE 1451.4 トランスデューサ電子データシート（TEDS）センサおよびアクセサリについては、上記の方法でデバイスを構成してアクセサリを追加します。**TEDS をスキャン**をクリックします。MAX でデバイスに直接接続された TEDS センサを構成するには、デバイスとインタフェースの下にあるデバイスを右クリックして、**TEDS を構成**を選択します。
3. **OK** をクリックして変更を承諾します。

## 手順 8. 信号調節またはスイッチデバイスをインストールする

---

システムで SCXI 信号調整モジュール、SC キャリアや SCC モジュールなどの信号調節コンポーネント（SCC）、ターミナルブロック、スイッチモジュールが使用されている場合は、各製品のスタートアップガイドを参照して信号調整やスイッチハードウェアをインストール、設定してください。

このガイドのこれ以降のセクションは、DAQ または PXI 信号調節実装デバイスのみ関する内容です。

## 手順 9. センサと信号線を取り付ける

---

センサと信号線をターミナルブロックまたはアクセサリ端子に取り付けます。

DAQ アシスタントを介して、システム中の NI-DAQmx タスクおよび仮想チャンネルの接続ダイアグラムを表示して印刷できます。タスクまたは仮想チャンネルを選択して、**接続ダイアグラム**タブをクリックします。センサからコネクタブロックへの接続の端子の名前と数を表示するには、タスク中の各仮想チャンネルを選択します。

ピンの割り当ては、Device Document Browser から参照できる各デバイス文書、または『NI-DAQmx 対応 Measurement & Automation Explorer ヘルプ』のトピック「デバイス端子」に記載されています。Device Document Browser には、**スタート→プログラム→National Instruments → NI-DAQ → Browse Device Documentation**（インストール済みの場合）を選択してアクセスできます。

センサに関する情報は、[ni.com/sensors](http://ni.com/sensors) または『NI-DAQmx ヘルプ』（**スタート→プログラム→National Instruments → NI-DAQ → NI-DAQmx ヘルプ**を選択）の「センサ」の項目で参照できます。IEEE 1451.4 TEDS スマートセンサの情報については、[ni.com/zone](http://ni.com/zone) を参照してください。

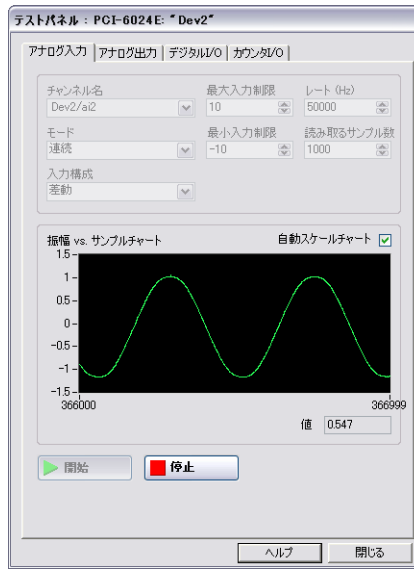
スイッチの仕様にはデバイスのトポロジーが含まれています。

## 手順 10. テストパネルを実行する

---

多くのデバイスには、信号の集録や生成などの特定のデバイス機能をテストするためのテストパネルがあります。

1. MAX で、**デバイスとインタフェース→NI-DAQmx デバイス**を展開します。リモート RT ターゲットを使用している場合、**リモートシステム**を選択し、ターゲットを検索して展開し、**デバイスとインタフェース**を展開します。
2. テストするには、デバイスを右クリックします。
3. 選択されたデバイスのテストパネルを開くには、以下の例に示すように**テストパネル**を選択します。



4. デバイスのさまざまな機能をテストするには、タブをクリックします。テストパネルの操作方法は、**ヘルプ**をクリックして参照できます。
5. テストパネルには、エラーが発生したかどうかを示すメッセージが表示されます。その場合、トラブルシューティングについては、『NI-DAQmx ヘルプ』または [ni.com/support/ja](http://ni.com/support/ja) を参照してください。
6. テストパネルを終了するには、**閉じる**をクリックします。

複数の DAQ デバイスをインストールする場合、各デバイスごとに手順「[手順 7. デバイスを設定する](#)」～「[手順 10. テストパネルを実行する](#)」を繰り返します。

## 手順 11. チャンネルとタスクを構成する

この手順は、NI-DAQmx または NI アプリケーションソフトウェアを使用してデバイスをプログラムする場合のみに適用されます。

NI-DAQmx の重要な概念であるタスクとは、タイミング、トリガ、その他のプロパティを備えた単一または複数の仮想チャンネルを指します。タスクは、実行するべき計測または生成を表します。タスクで構成情報を設定、保存し、それをアプリケーションで使用することができます。

NI-DAQmx では、仮想チャンネルをタスクの一部として、またはタスクから切り離して構成できます。タスク内に作成した仮想チャンネルは、ローカル仮想チャンネルと呼ばれます。タスク外に定義した仮想チャンネルは、グローバル仮想チャンネルと呼ばれます。グローバル仮想チャンネルは MAX 内あるいはアプリケーションソフトウェア内で作成して、



MAX に保存することができます。また、どのアプリケーションでもグローバル仮想チャンネルを使用することができるだけでなく、さまざまなタスクにそれらを追加することもできます。グローバル仮想チャンネルを変更した場合は、その変更がそのグローバル仮想チャンネルに関連するすべてのタスクに影響を及ぼします。

## NI-DAQmx でタスクを構成する

NI-DAQmx を使用する場合、DAQ アシスタントでタスクを構成します。DAQ アシスタントでタスクおよび仮想チャンネルを作成するには、NI アプリケーションソフトウェアパッケージの 7.0 以降のバージョンを使用する必要があります。

- MAX で **データ設定** を右クリックして、**新規作成** を選択します。新規作成ウィンドウで **NI-DAQmx タスク** を選択して、**次へ** をクリックします。リモートで RT ターゲットを使用している場合、まず **リモートシステム** を展開し、ターゲットを検索して展開して **データ設定** を表示する必要があります。
- また、NI アプリケーションソフトウェアの中から直接 DAQ アシスタントを開くこともできます。
  - LabVIEW で、『LabVIEW 入門』の説明に従って、Express 入力パレットから「DAQ アシスタント」Express VI をブロックダイアグラムに配置します。


または、DAQmx 名前制御器パレットで DAQmx タスク名を右クリックし、**新規タスク (DAQ アシスタント)** を選択して DAQ アシスタントを開くこともできます。『LabVIEW における NI-DAQmx 計測』チュートリアルには、DAQmx タスク名制御器でタスクを作成する方法およびタスクに基づいたコードを生成する方法が段階的に説明してあります。LabVIEW で **ヘルプ → LabVIEW における NI-DAQmx 計測** を選択します。
  - LabWindows/CVI の場合：
    1. **Tools → Create/Edit DAQmx Tasks** を選択します。Create/Edit DAQmx Tasks ダイアログボックスが開きます。
    2. **Create New Task in MAX** または **Create New Task in Project** を選択し、**OK** をクリックします。
  - Measurement Studio の場合：
    1. Visual Studio .NET を開き、DAQmx タスクのクラスを作成するプロジェクトを開きます。
    2. **Project → Add New Item** を選択します。Add New Item ダイアログボックスが開きます。
    3. Categories ペーンで、**Measurement Studio → Assistants** を選択します。

4. Templates ペーンで **DAQmx Task Class** を選択します。
5. DAQmx タスクファイルの名前を指定して、**Open** をクリックします。
6. 新規タスクまたは MAX で作成したグローバルタスクのプロジェクトコピーを作成するかどうかを指定し、**Finish** をクリックします。

DAQ アシスタントで、I/O タイプ（アナログ入力、実行する測定や生成、測定に使用できるセンサ、ローカル仮想チャンネルを作成する基となる物理チャンネルなど）を選択して新しいタスクを作成する画面が表示されます。タスクの作成方法については、『DAQ アシスタントヘルプ』を参照してください。

## NI-DAQmx のグローバル仮想チャンネルを構成する

NI-DAQmx を使用する場合、DAQ アシスタントでグローバル仮想チャンネルを構成します。グローバル仮想チャンネルを作成するには MAX を使用する必要がありますが、グローバル仮想チャンネルの追加はアプリケーションソフトウェアから行うことができます。

- MAX で DAQ アシスタントを開くには、**データ設定**を右クリックして、**新規作成**を選択します。新規作成ウィンドウで **NI-DAQmx グローバルチャンネル**を選択して、**次へ**をクリックします。
- また、NI アプリケーションソフトウェアの中から直接 DAQ アシスタントを開くこともできます。
  - LabVIEW で、DAQmx グローバルチャンネル制御器を右クリックして、**新規チャンネル (DAQ アシスタント)** を選択します。
  - LabWindows/CVI または Measurement Studio では、前述のように最初にタスクを作成する必要があります。DAQ アシスタントで、追加ボタン (  ) をクリックし、タスクにチャンネルを追加ダイアログボックスで**グローバルタブ**からグローバル仮想チャンネルを選択します。

DAQ アシスタントで、I/O タイプ（アナログ入力、実行する測定や生成、測定に使用できるセンサ、グローバル仮想チャンネルを作成する基となる物理チャンネルなど）を選択して新しいグローバル仮想チャンネルを作成する画面が表示されます。タスクの作成方法については、『DAQ アシスタントヘルプ』を参照してください。

# 手順 12. アプリケーションでデバイスを使用する

## DAQ アシスタント

使用しているアプリケーションで計測タスクを使用したり、コードを生成するには、以下の手順に従ってください。詳細については、『DAQ アシスタントヘルプ』を参照してください。

### LabVIEW

1. LabVIEW でブランク VI を開きます。
2. ブロックダイアグラムで、**NI Measurement → DAQmx- データ集録 → DAQmx タスク名定数**を選択して定数を配置します。
3. タスクをプルダウンメニューから選択します。
4. VI を右クリックして**コードを生成 → サンプル**を選択します。
5. フロントパネルからプログラムを実行します。

### LabWindows/CVI

LabWindows/CVI でタスクを使用する方法については、[ni.com/info](http://ni.com/info) で `rddq73` と入力して表示される情報（英語）を参照してください。

### Measurement Studio

Measurement Studio でタスクを使用する手順については、[ni.com/info](http://ni.com/info) で `rddqms` と入力して表示される情報（英語）を参照してください。

## サンプル

サンプルを使用して、新しいアプリケーションを開発したり、サンプルのコードを既存のアプリケーションに加えたりすることができます。

ソフトウェアアプリケーション	サンプルの場所
LabVIEW または LabWindows/CVI	ヘルプ → サンプルを検索
Measurement Studio でサポートされる言語 MFC C++	MeasurementStudioVS2003¥VCNET¥ Examples¥DAQmx
Visual Basic .NET および C# のサンプル *	MeasurementStudioVS2003¥DotNET¥ Examples¥DAQmx
ANSI C	NI-DAQ¥Examples¥DAQmx ANSI C
*Measurement Studio は必須ではありません	

その他のサンプルについては、[ni.com/zone](http://ni.com/zone)（英語）を参照してください。

ハードウェアをインストールせずにサンプルを実行するには、NI-DAQmx シミュレーションデバイスを使用できます。シミュレーションデバイスの作成手順については、MAX で **ヘルプ→ヘルプトピック→NI-DAQmx** を選択して、『NI-DAQmx 対応 Measurement & Automation Explorer ヘルプ』を参照してください。

## VI Logger Lite

NI-DAQmx の CD には、データロギングアプリケーション専用の使いやすい構成ベースツールである VI Logger Lite が添付されています。このツールは、**スタート→プログラム→National Instruments→VI Logger** を選択して起動できます。『VI Logger Help』を参照するには、MAX で **ヘルプ→ヘルプトピック→VI Logger Help** を選択します。

## その他の情報

---

デバイス文書をインストールすると、ブラウザおよび文書を **スタート→プログラム→National Instruments→NI-DAQ→Browse Device Documentation** から表示できるようになります。NI-DAQ ソフトウェア文書（『NI-DAQmx ヘルプ』や『DAQ スタートアップガイド』など）は、**スタート→プログラム→National Instruments→NI-DAQ→NI-DAQmx 文書タイトル** を選択して参照できます。

## トラブルシューティング

---

DAQ ハードウェアおよび / またはソフトウェアのインストールで問題がある場合、以下のリソースを参照してください。

- **トラブルシューティングの説明**については、[ni.com/support/ja/troubleshooting](http://ni.com/support/ja/troubleshooting) のトラブルシューティングリソースを参照してください。
- 一般的なインストールやプログラミングに関する問題点のトラブルシューティングおよび NI の製品についてよくある質問（FAQ）の回答に関する文書については、[ni.com/jp/kb](http://ni.com/jp/kb) を参照してください。
- デバイスが損傷した可能性があり、ナショナルインスツルメンツのハードウェアを修理またはデバイスカリブレーションのために返送する必要がある場合は、日本ナショナルインスツルメンツの技術サポートへご連絡ください。電話番号：03-5472-2981（平日 9：00-12：00 13：00-17：00）

# 世界各国の技術サポート

---

その他のサポートについては、[ni.com/support/ja](http://ni.com/support/ja) または [ni.com/zone](http://ni.com/zone) (英語) を参照してください。信号調整に関する製品のサポートについての詳細な情報は、ご使用のデバイスに添付されている『Signal Conditioning Technical Support Information』をご覧ください。

ナショナルインスツルメンツでは、米国本社 (11500 North Mopac Expressway, Austin, Texas, 78759-3504) および各国の現地オフィスにてお客様にサポート対応しています。

National Instruments, NI, ni.com, および LabVIEW は National Instruments Corporation (米国ナショナルインスツルメンツ社) の商標です。National Instruments の商標の詳細については、ni.com/legal の「Term of Use」セクションを参照してください。本文中に記載されたその他の製品名および企業名は、それぞれの企業の商標または商号です。National Instruments の製品を保護する特許については、ソフトウェアに含まれている特許情報 ([ヘルプ→特許情報](#))、CD に含まれている patents.txt ファイル、または ni.com/patents のうち、該当するリソースから参照してください。